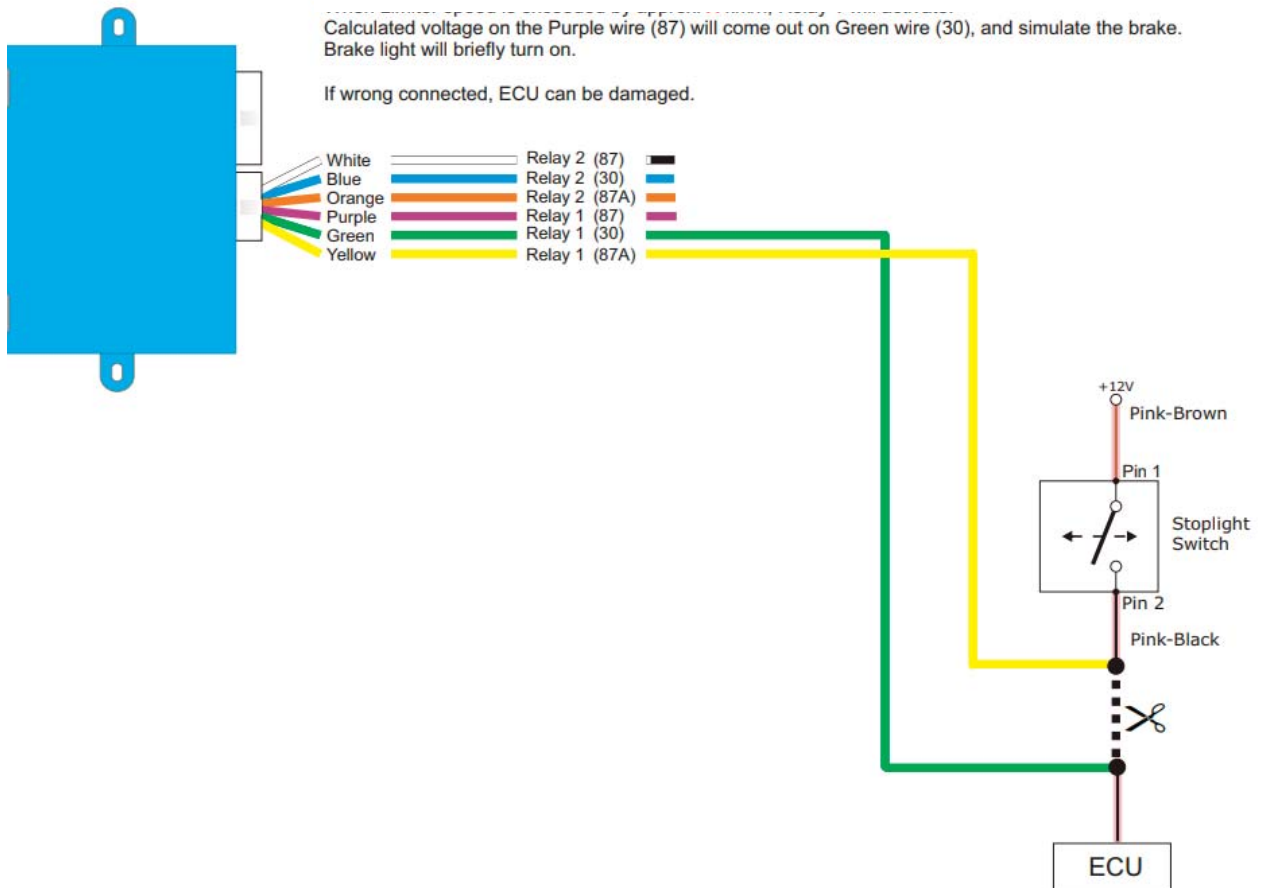
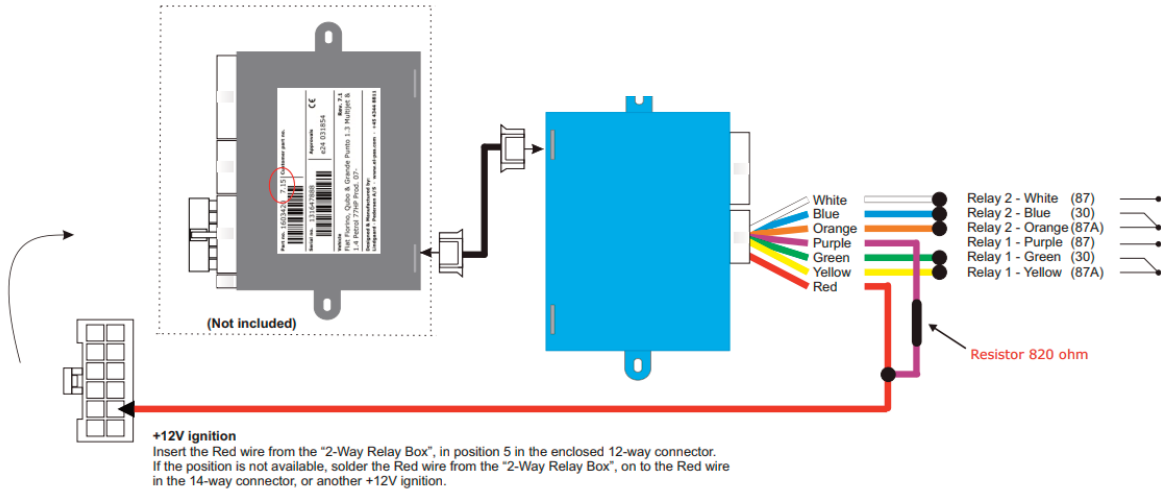
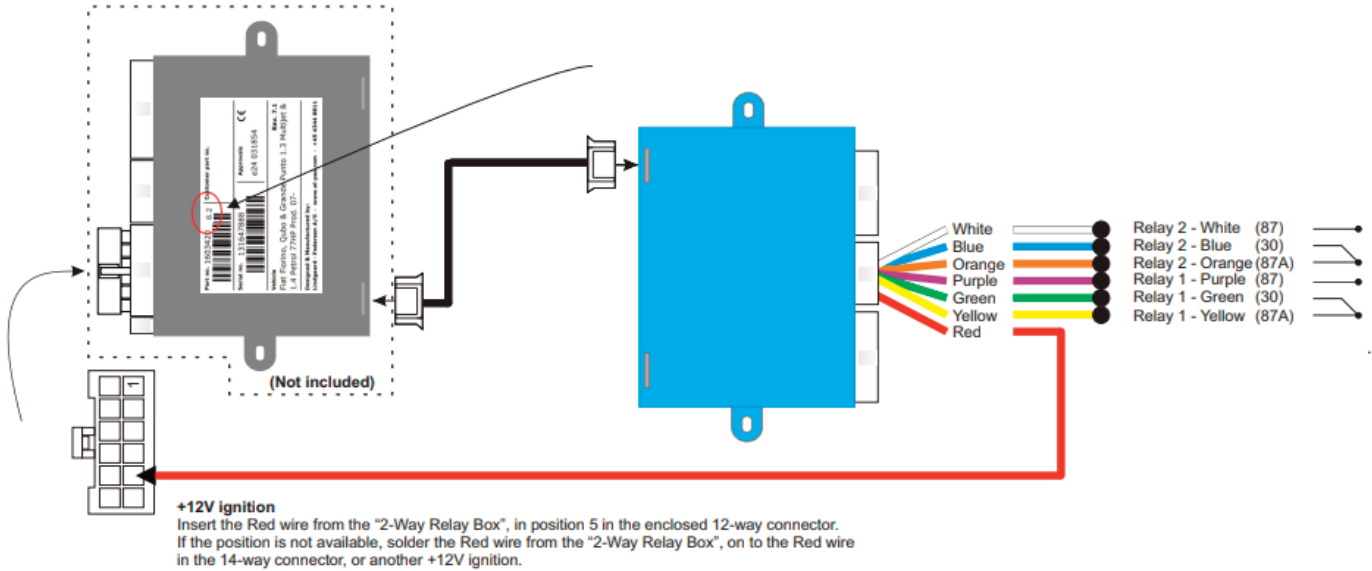


Mercedes Sprinter 2way Relay Wiring

Cancel of OE Cruise control on the brake

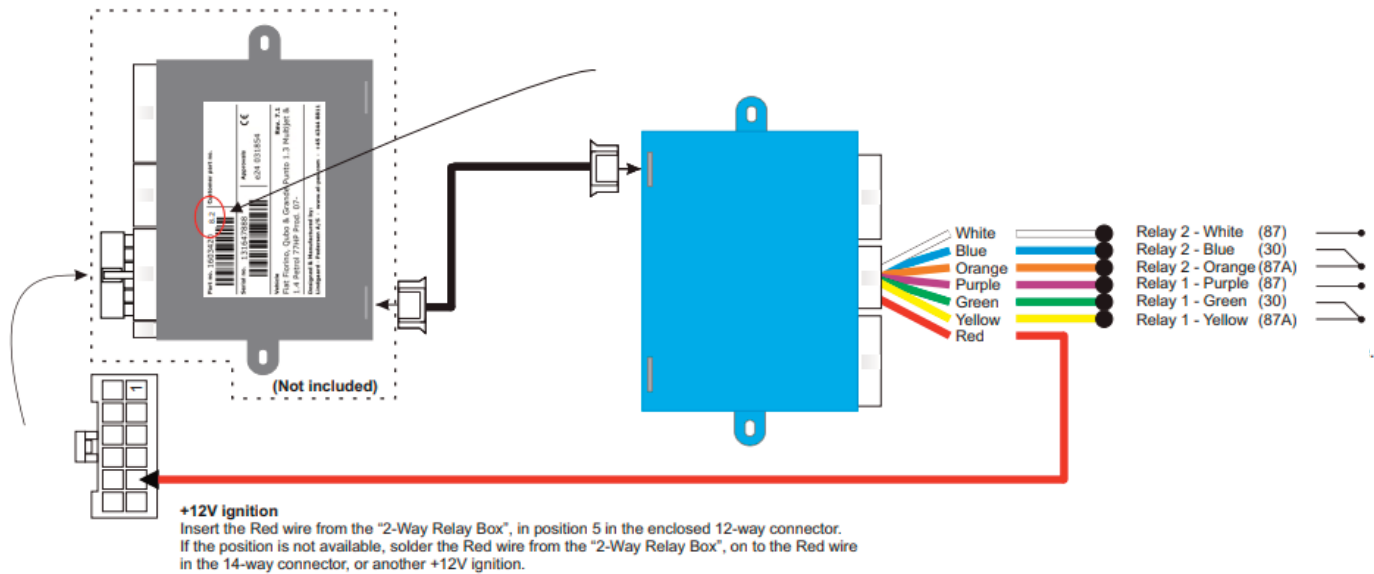


Chevrolet Express Van 2way Relay Wiring



Connect Purple wire from Rostra 2way relay box to LT BLUE/WHITE at BCM BROWN CONN, PIN 6. BCM (Body Control Module) is located under the passenger side dash. Connect Green wire from Rostra 2way relay box to Ignition power.

Nissan NV 2way Relay Wiring



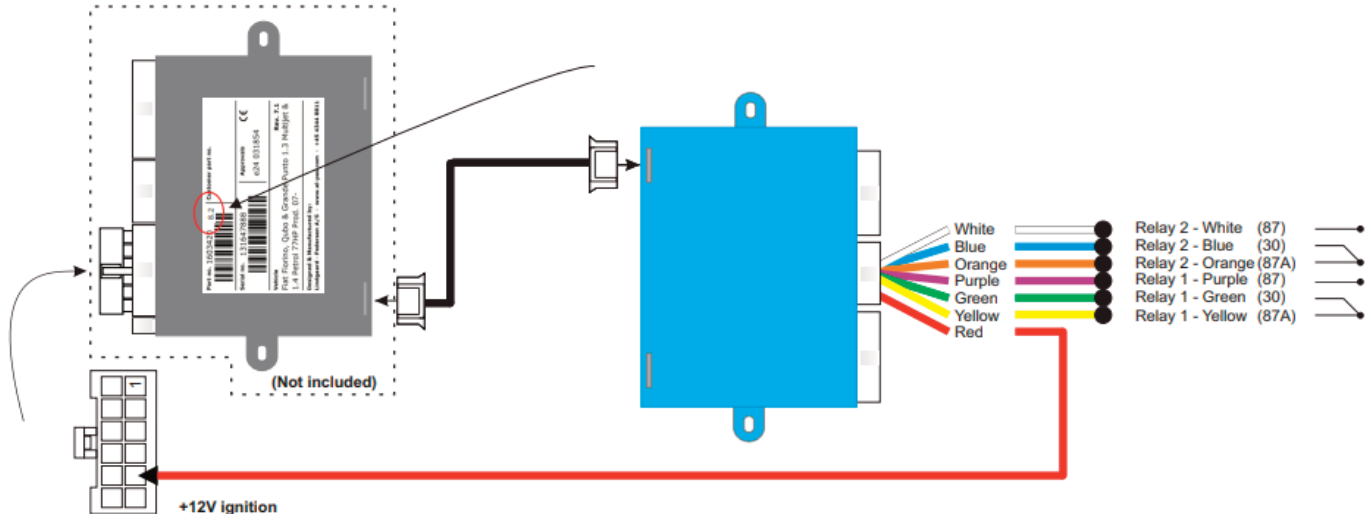
Connect Green wire from 2way relay box to Pos. 2 of the brake switch Orange wire.



Connect Purple wire from 2way relay box to Pos. 2 of the brake switch LT. Green wire.

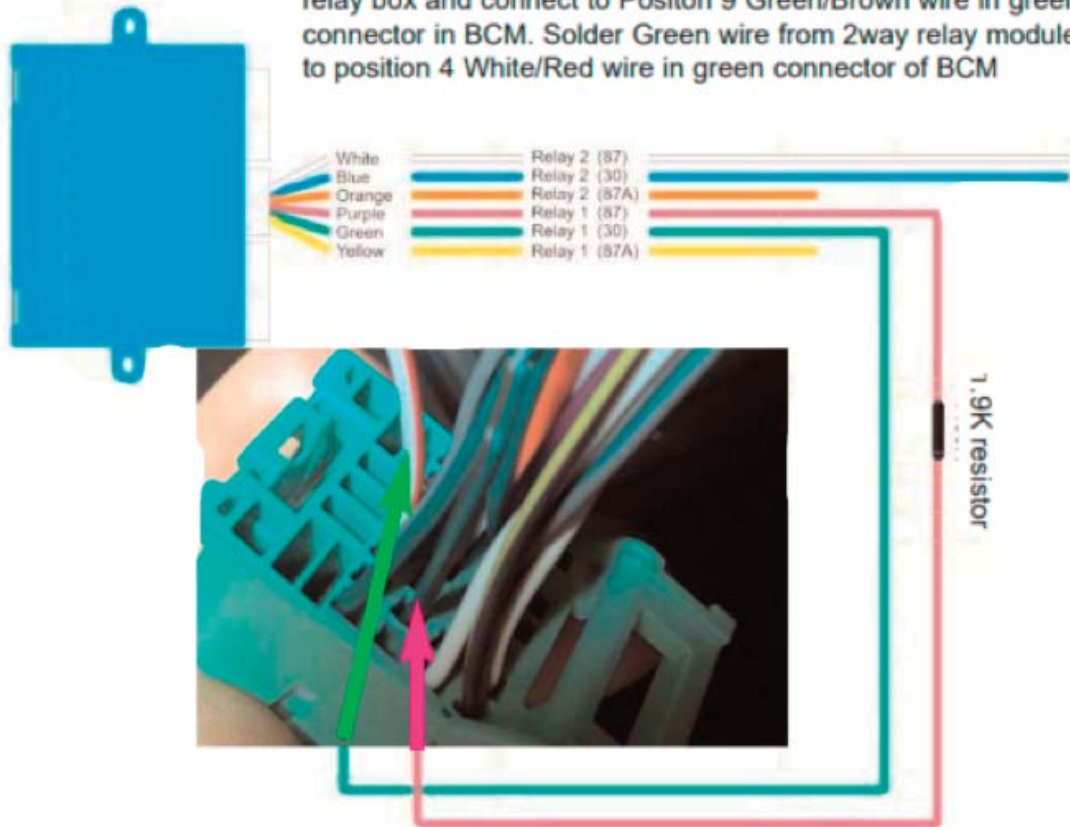
4 Pin Brake switch located at top of brake pedal assembly.

Chevrolet Silverado/Colorado 2way Relay Wiring

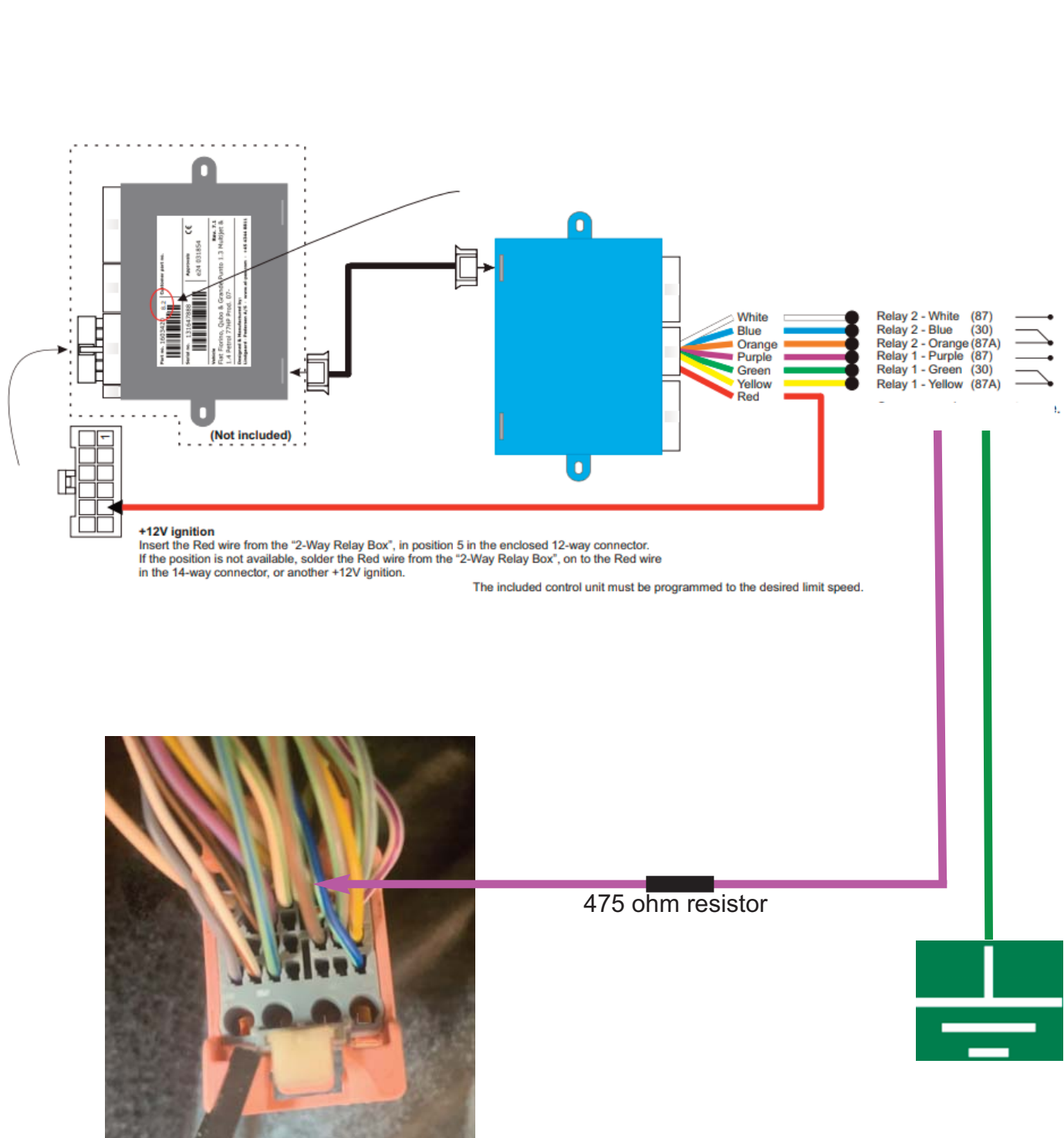


+12V ignition
 Insert the Red wire from the "2-Way Relay Box", in position 5 in the enclosed 12-way connector.
 If the position is not available, solder the Red wire from the "2-Way Relay Box", on to the Red wire in the 14-way connector, or another +12V ignition.

Locate BCM under drivers dash locate Green connector in BCM. Solder 1.9K resistor inline with purple wire from 2way relay box and connect to Positon 9 Green/Brown wire in green connector in BCM. Solder Green wire from 2way relay module to position 4 White/Red wire in green connector of BCM

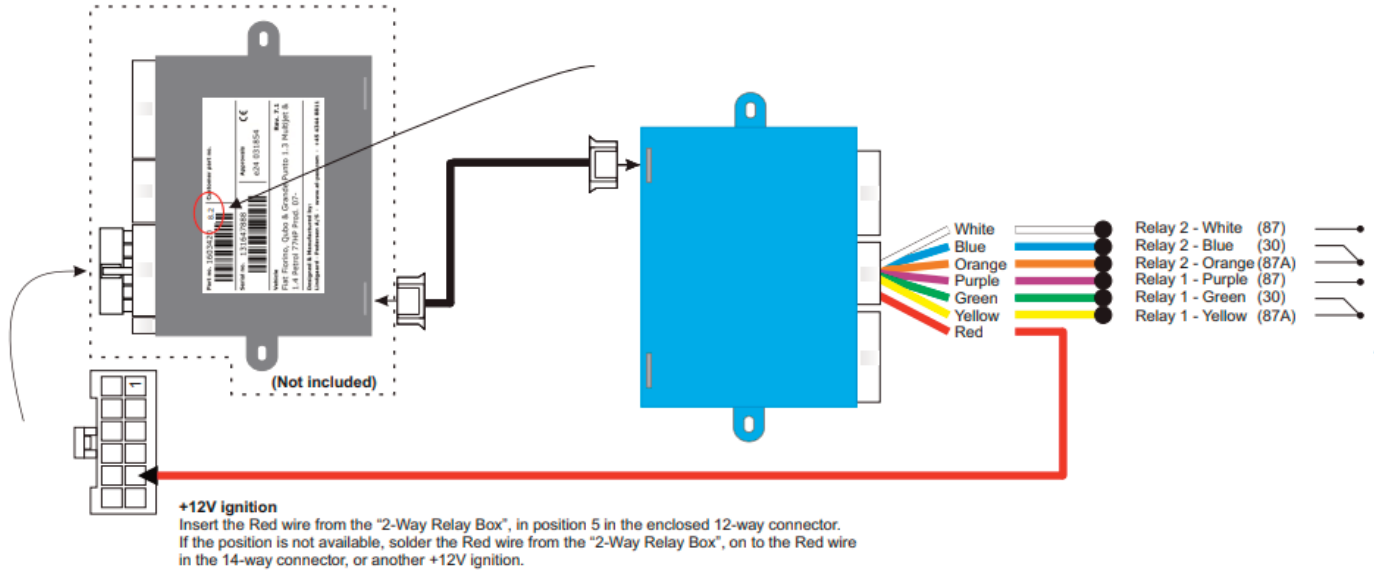


Chevrolet Silverado/Colorado 2way Relay Wiring 2022-2024 models



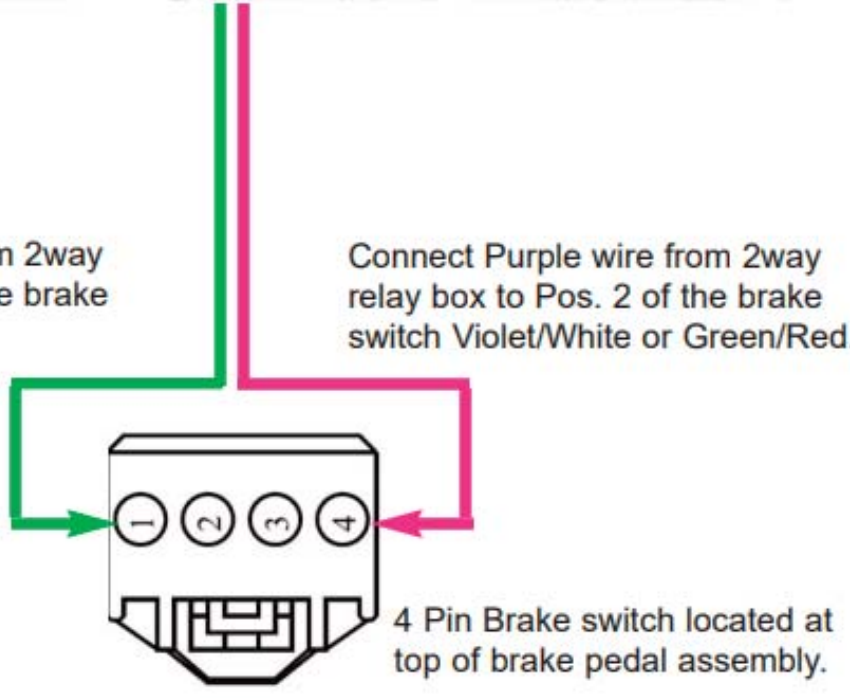
Locate the BCM under driver side dash area. Locate far right section BCM block 2X Pink 32 pin connector. Place in series 475 ohm resistor with Purple wire from 2way relay module and connect to position 14 Brown/Green OEM cruise input. Connect Green wire from 2way relay module to ground.

Ford 2way Relay Wiring

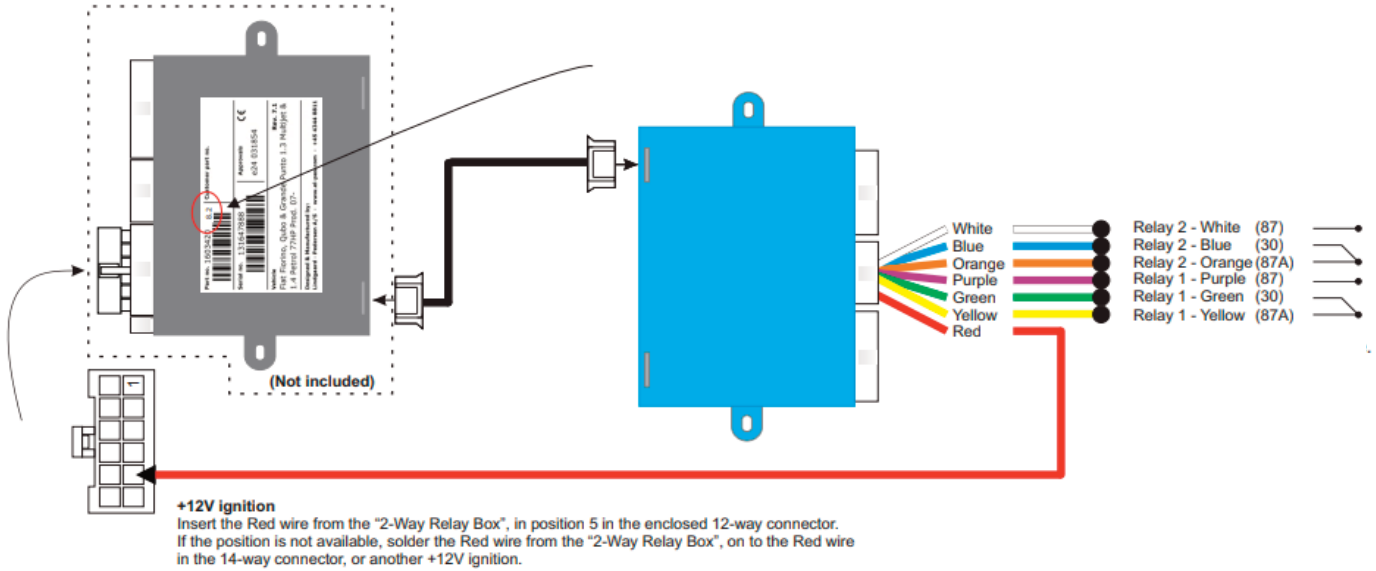


Connect Green wire from 2way relay box to Pos. 2 of the brake switch Red wire.

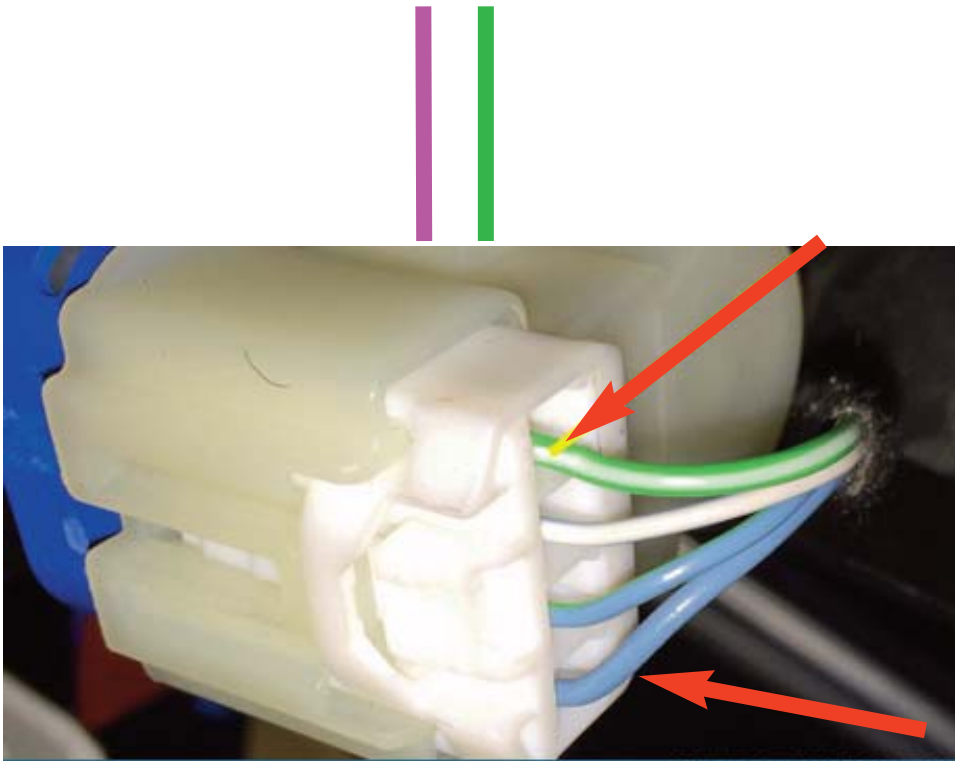
Connect Purple wire from 2way relay box to Pos. 2 of the brake switch Violet/White or Green/Red.



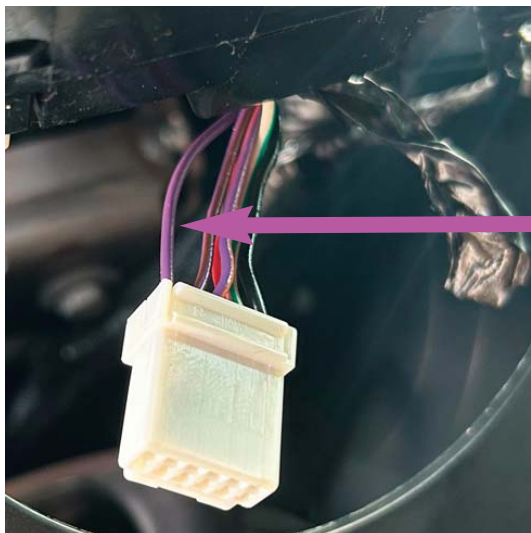
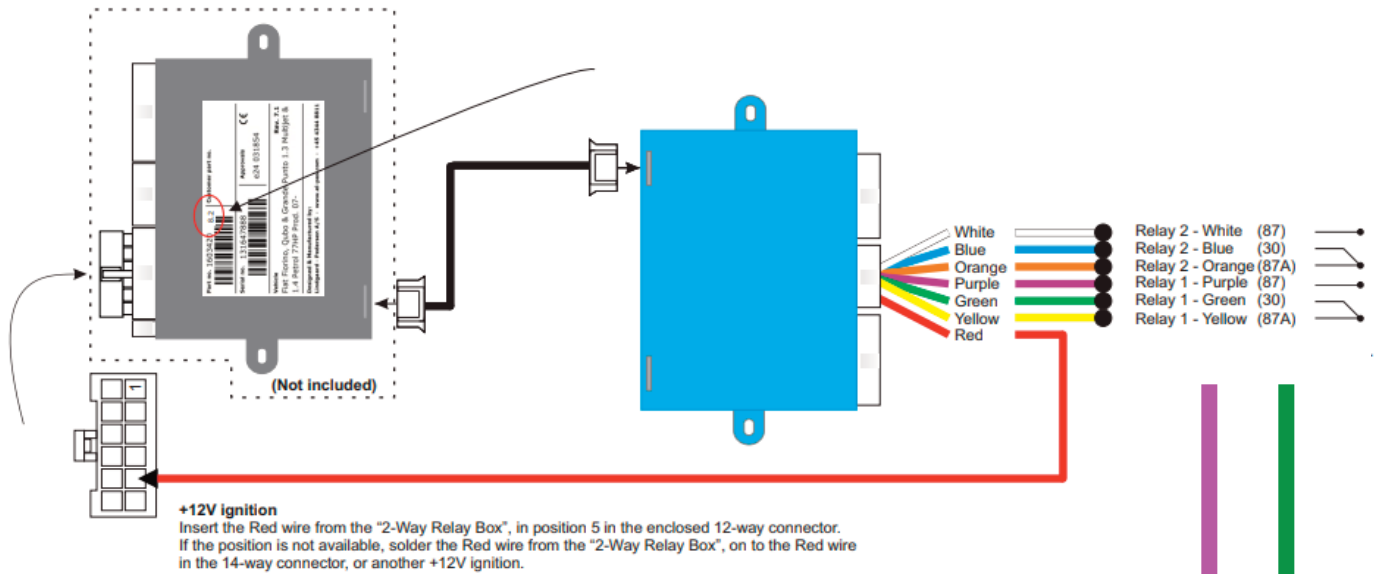
Ram Promaster 2way Relay Wiring



Connect Purple wire from 2-way relay module to Green/White wire at Brake switch. Connect Green wire from the 2-way relay module to the LT. Blue wire of brake switch.



Ram Truck & Dodge Caravan 2way Relay Wiring

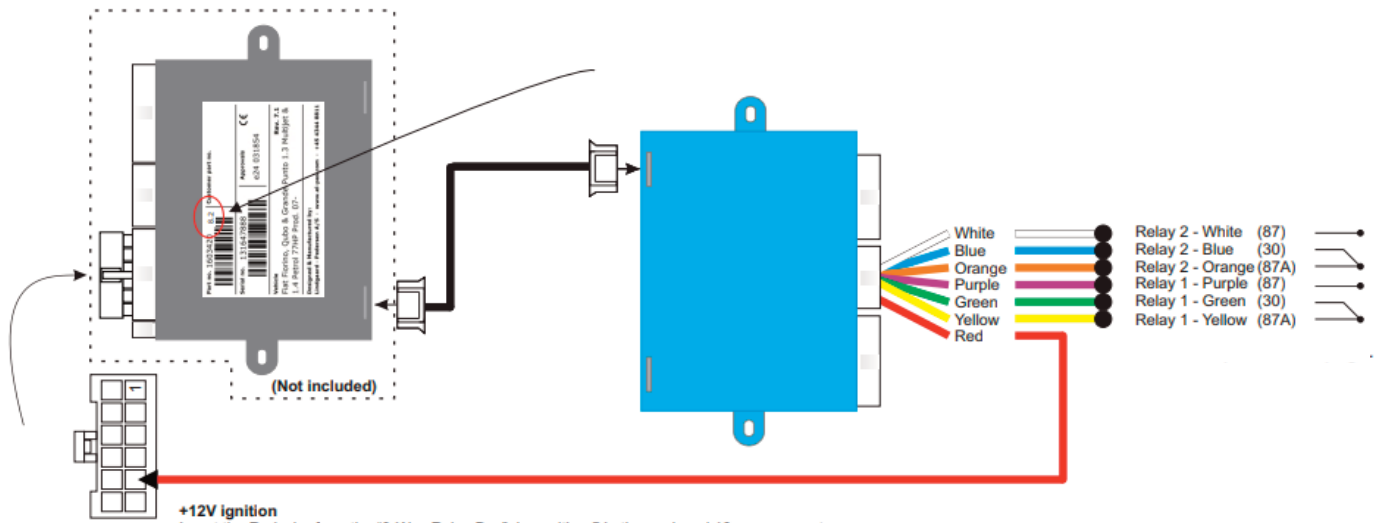


200 ohm resistor



Locate Clock Spring 6 pin connector under steering column. Place 200 ohm resistor in series with Purple wire from 2way relay module and connect to position 6 Violet wire signal 1 OEM cruise input. Connect Green wire from 2way relay module to ground.

2way Relay Wiring Universal



+12V ignition
Insert the Red wire from the "2-Way Relay Box", in position 5 in the enclosed 12-way connector.
If the position is not available, solder the Red wire from the "2-Way Relay Box", on to the Red wire in the 14-way connector, or another +12V ignition.

