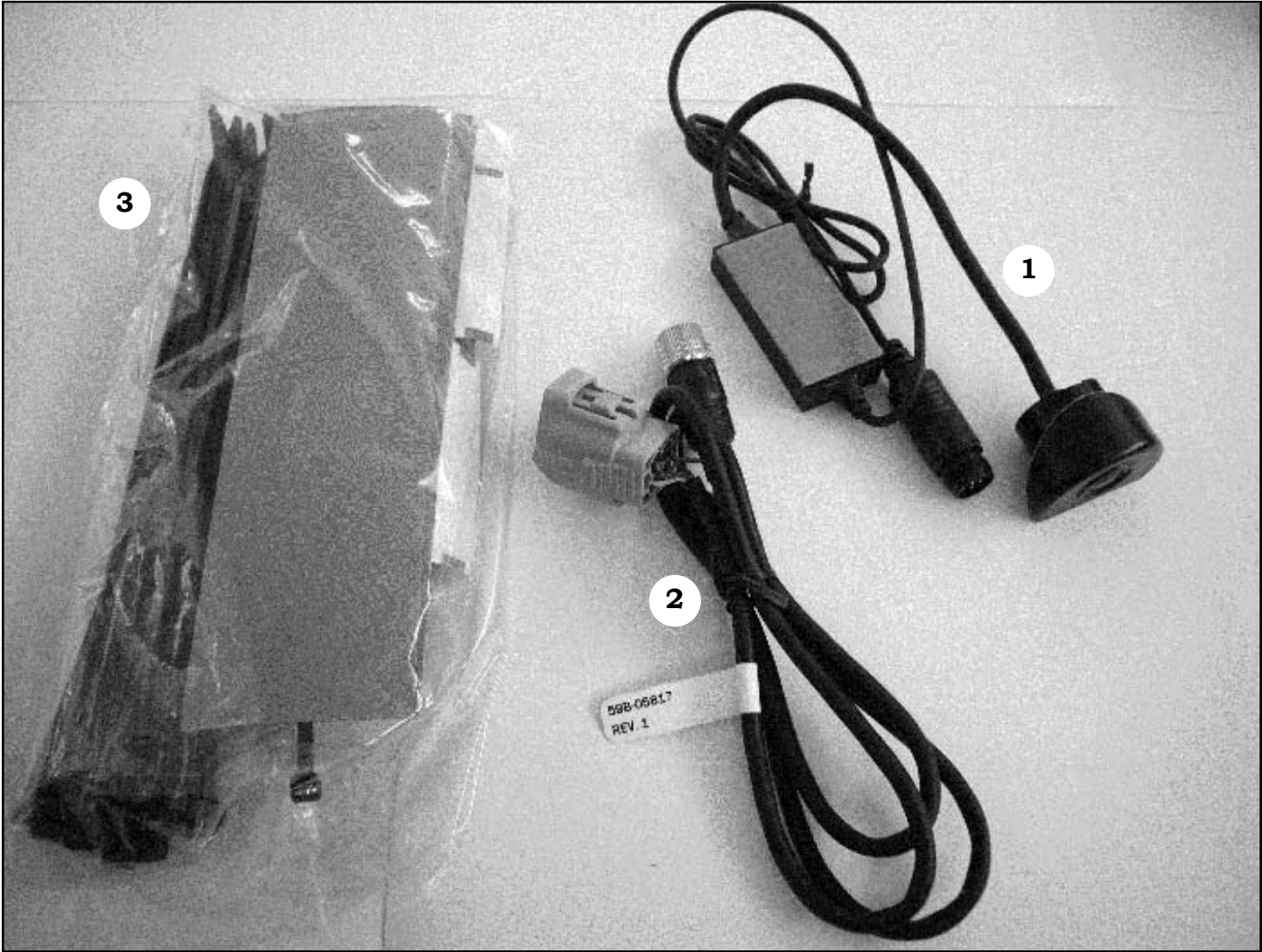


PARTS IDENTIFICATION

ITEM	QUANTITY	PART NUMBER	DESCRIPTION
1	1	250-8540	CAMERA ASSEMBLY
2	1	250-8027	CAMERA INTERFACE HARNESS
3	1	250-8028	SACK PARTS: TIE STRAPS, ALCOHOL PADS, FOAM TAPE



***BEFORE** BEGINNING INSTALLATION, **FAMILIARIZE** YOURSELF WITH THE INSTALLATION INSTRUCTIONS AND THE **REARSIGHT™** BACK-UP CAMERA SYSTEM COMPONENTS.

INSTALLATION



CAUTION: It is advisable to disconnect the negative battery cable for 3 minutes before beginning installation, to avoid unintended air bag deployment. Note and record any anti-theft radio codes prior to disconnecting.



VEHICLE PREPARATION

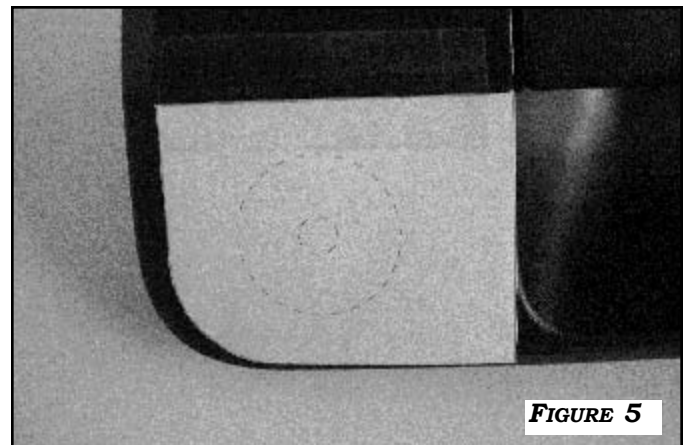
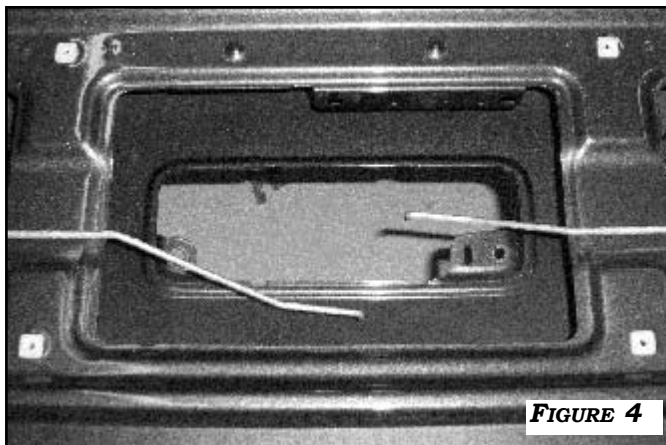
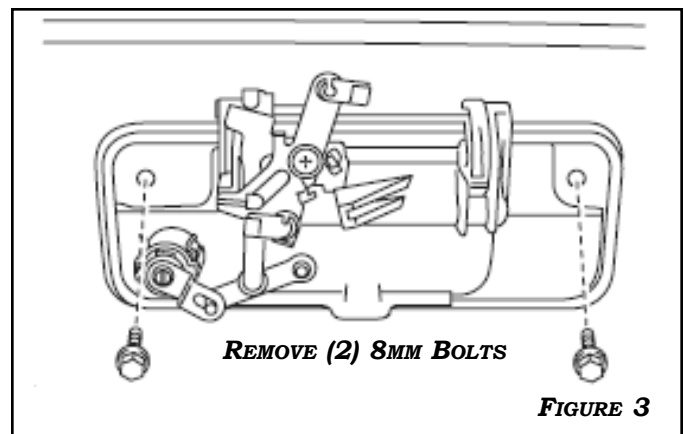
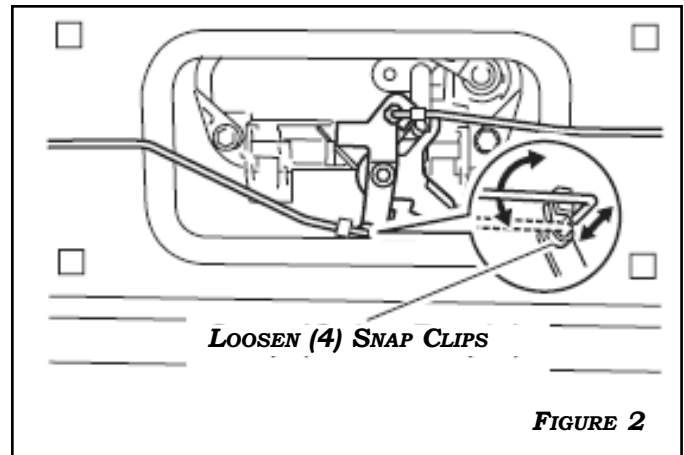
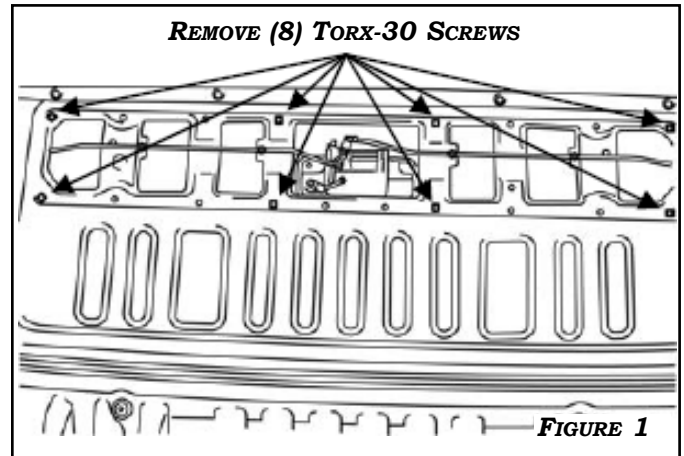


1. REMOVE THE TAIL GATE HOLE SERVICE COVER BY REMOVING EIGHT (8) TORX-30 SCREWS. **FIGURE 1**
2. DISCONNECT THE LATCH MECHANISM CONTROL RODS FROM THE LATCH BY UNSNAPPING THE FOUR (4) ORANGE AND PURPLE CLIPS. **FIGURE 2**
3. REMOVE THE TWO (2) 8MM BOLTS ON HOLDING THE LATCH TO THE TAILGATE AND REMOVE THE LATCH. **FIGURE 3-4.**

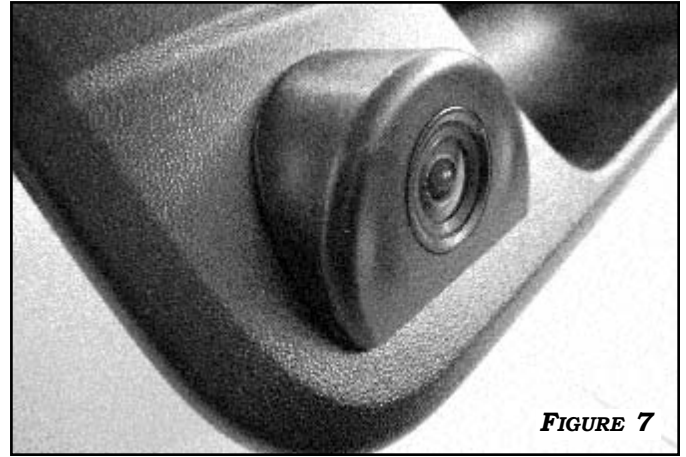
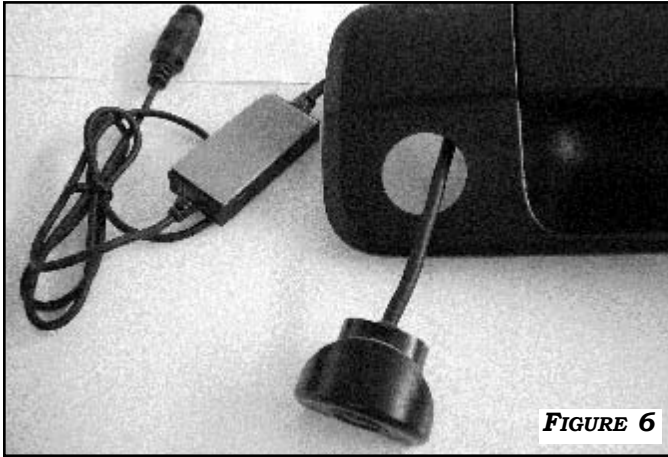
CAMERA INSTALLATION



1. CUT OUT THE CAMERA HOLE DRILLING TEMPLATE ON PAGE 5 OF THIS MANUAL. AFFIX IT TO THE TAIL GATE LATCH AS SHOWN IN **FIGURE 5**. DRILL A 1/4" PILOT HOLE AND THEN ENLARGE IT TO 1-1/16". CLEAN AND DE-BURR THE HOLE.
2. INSERT THE REARSIGHT CAMERA INTO THE HOLE TO CHECK FOR FITMENT. **DO NOT** REMOVE THE LINING ON THE TAPE OF THE CAMERA SHROUD YET. IF THE CAMERA WON'T FIT FLUSH WITH THE LATCH, USE A KNIFE TO CHAMFER THE INNER EDGE OF THE HOLE SO THAT THE CAMERA WILL FIT. CLEAN THE OUTSIDE AREA AROUND THE HOLE WITH THE SUPPLIED ALCOHOL PAD AND THEN MOUNT THE CAMERA TO THE LATCH USING THE MOUNTING TAPE. MOUNT THE LATCH INTO THE TAILGATE. **FIGURES 6-7**

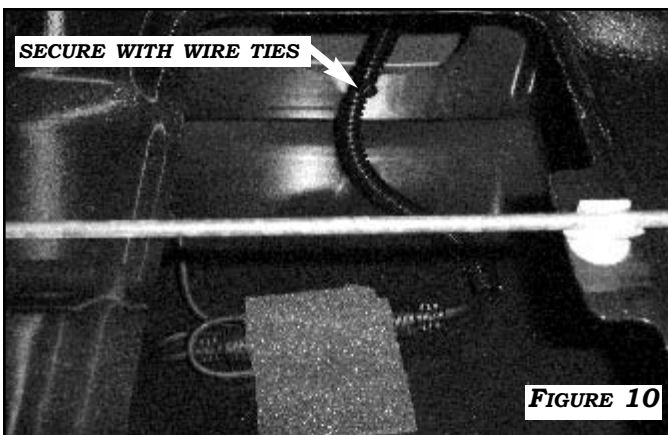
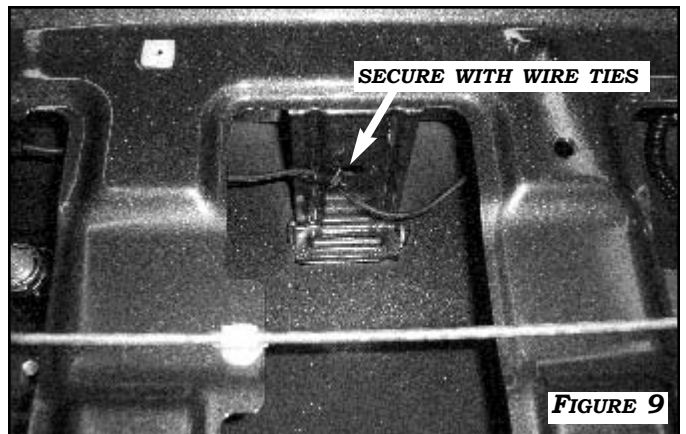
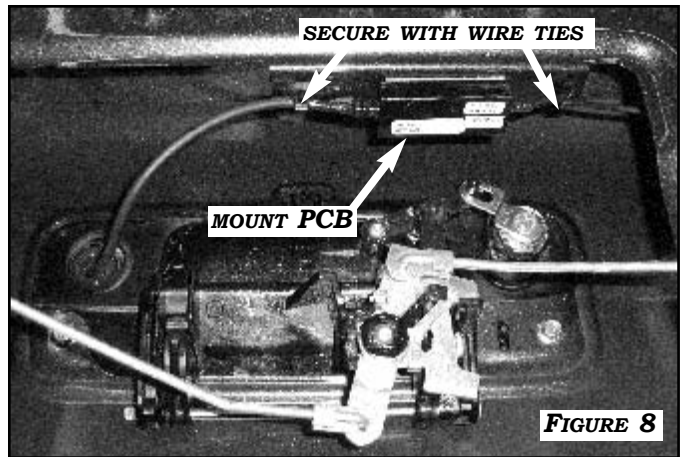


INSTALLATION



ROUTING HARNESS AND POWER CONNECTIONS

1. CLEAN THE AREA SHOWN IN **FIGURE 8** WITH ALCOHOL AND MOUNT THE CAMERA PCB TO THIS SPOT USING THE DOUBLE-SIDED TAPE. SECURE THE HARNESS WITH WIRE TIES AS SHOWN. ROUTE THE CAMERA HARNESS TO THE RIGHT OF THE TAILGATE, SECURING WITH WIRE TIES AS SHOWN IN **FIGURE 9**. CONNECT THE CAMERA HARNESS TO THE TAILGATE INTERFACE HARNESS BY SCREWING THE TWO CONNECTORS TOGETHER. SECURE THE CONNECTOR TO THE TAILGATE WITH FOAM TAPE TO PREVENT RATTLES. **FIGURE 10**
2. ROUTE THE TAILGATE INTERFACE HARNESS TO THE HOLE AT THE BOTTOM RIGHT SIDE OF THE TAILGATE. PULL THE CONNECTOR THROUGH, THEN INSERT ROUTE THE HARNESS UNDER THE BED THROUGH THE SECOND HOLE AS SHOWN IN **FIGURE 11**. CLEAN THE AREA WITH ALCOHOL THEN ATTACH THE SUPPLIED ADHESIVE HARNESS CLIP TO THE BOTTOM OF THE TAILGATE TO SECURE THE HARNESS AS SHOWN IN **FIGURE 11**.
3. CONNECT THE INTERFACE HARNESS TO THE VEHICLE CAMERA CONNECTOR (XR1) UNDER THE BED AS SHOWN IN **FIGURE 12**. REMOVE THE DUMMY PLUG FIRST, AND PLACE IT IN THE SUPPLIED PLASTIC RESEALABLE BAG ALONG WITH THE TAILGATE REMOVAL WARNING CARD.



TESTING AND REASSEMBLY

TESTING



1. RECONNECT NEGATIVE BATTERY CABLE AND TORQUE TO **3 FT*LBS.** RE-ENTER ANY THEFT DETERRENT INFORMATION, IF APPLICABLE.



2. TURN THE IGNITION SWITCH **ON.** PUT THE VEHICLE IN REVERSE. VERIFY THAT THE REARSIGHT MONITOR IS ON AND THAT THE CAMERA'S PICTURE APPEARS.
3. IF THERE IS NO PICTURE, VERIFY ALL CONNECTIONS ARE SECURE.

REASSEMBLY



1. REINSTALL ALL TRIM PIECES TAKING SPECIAL CARE TO ENSURE HARNESSES AND WIRING CONNECTIONS ARE PROPERLY SECURED.
2. BE SURE HARNESS IS NOT PINCHED OR BOUND BY TRIM PIECES.
3. PLACE THE OWNER'S CARD AND TAILGATE REMOVAL CARD BAG IN THE GLOVE BOX.
4. RECONNECT ALL DISCONNECTED BULBS AND CHECK FOR FUNCTION.

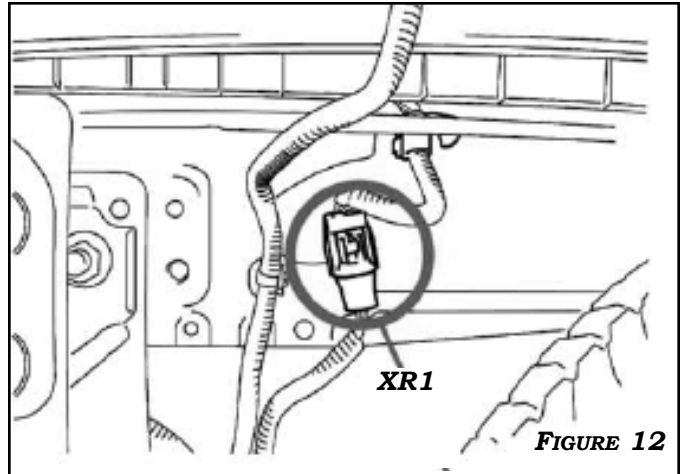
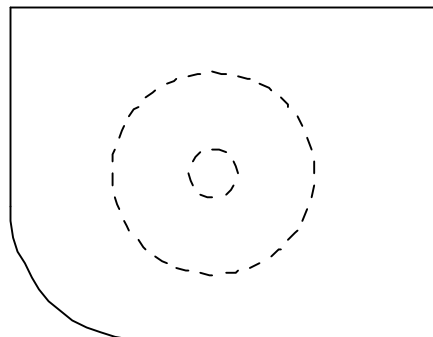


FIGURE 12



FIGURE 12

CAMERA TEMPLATE



CUT OUT THIS TEMPLATE. USE CENTER HOLE FOR PILOT. FINISHED HOLE SIZE SHOULD BE 1-1/16"

NOTES

NOTES



ROSTRA.COM