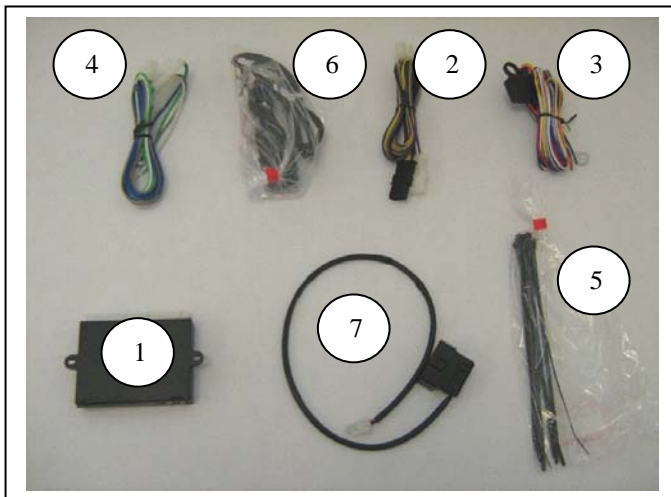


**General Applicability**

All Motors

Item #	Qty.	Description
1. 250-9506	1	Cruise Control Module
2. 250-2760	1	Switch Harness
3. 250-2759	1	Main Wiring Harness
4. 250-2766	1	Pedal Interface Harness
5. 250-2767	1	Hardware Kit
6. 250-3742	1	Control Switch
7. 250-2785	1	Diagnostics Harness

**Kit Contents/Service Parts**



**Contents of Hardware Bag, 250-2763**

Qty	Description
8	Wire Zip Ties

**Additional Items Required For Installation**


**Recommended Tools**

<b>Safety Tools</b>	
Gloves, Safety Glasses	
<b>Special Tools</b>	
Volt-Ohm Meter	
<b>Installation Tools</b>	
Side cutter	To cut wire ties
Drill Bit or Knockout Punch	9.5mm or 3/8" (for switch)
10mm wrench	
Soldering Tool	
<b>Special Chemicals</b>	

**Conflicts**

Note:

**Recommended Sequence of Application**

Item #	Accessory
1	
2	
3	

**Legend**

**STOP:** Damage to the vehicle may occur. Do not proceed until process has been complied with.

**OPERATOR SAFETY:** Use caution to avoid risk of injury

**CRITICAL PROCESS:** Proceed with caution to ensure a quality installation.

**GENERAL PROCESS:** This highlights specific processes to ensure a quality installation.

**TOOLS & EQUIPMENT:** This calls out the specific tools and equipment required for this process

**THIS DEVICE IS NOT INTENDED FOR USE IN VEHICLES WITH HIGH POWER, VHF OR UHF 2-WAY RADIOS**



**DUE TO SENSITIVE NATURE OF SIGNALS USED FOR THIS PRODUCT ALL CONNECTIONS MUST BE SOLDERED.**

**FAILURE TO COMPLY WITH THIS REQUIREMENT WILL VOID WARRANTY.**

## Section I – Installation Procedure

## A. Pre-Installation Suggestions



1. It is advisable to disconnect the negative battery cable for 3 minutes before beginning installation, to avoid unintended air bag deployment. Note and record any anti-theft radio codes prior to disconnecting. **Figure 1**



2. Remove the passenger side console panel for power and ground at the BCM. Remove the steering wheel shroud. **Figure 2**



## B. Install Electronic Module



1. Plug in the **Main Wiring Harness, Diagnostic Harness, Switch Harness, and Pedal Interface Harness** onto mating connectors of the Cruise Control Module. **Figure 3**
2. Place the **Cruise Control Module** in a secure location behind the driver side dash area near the firewall away from moving parts. Secure with supplied wire ties.
3. Route the **Pedal Interface Harness** to the accelerator.
4. Locate the 6 pin **plug and mate connectors** on the **Pedal Interface Harness**. Remove the accelerator 6-pin connector and apply to mating connector of Pedal Interface Harness. Apply the other connector to the accelerator. **Figure 4**

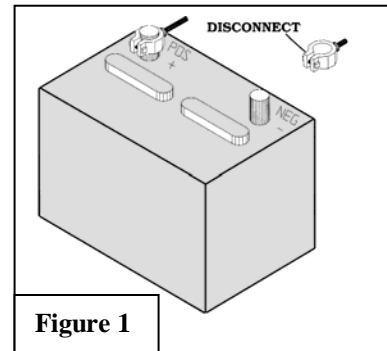


Figure 1



Figure 2

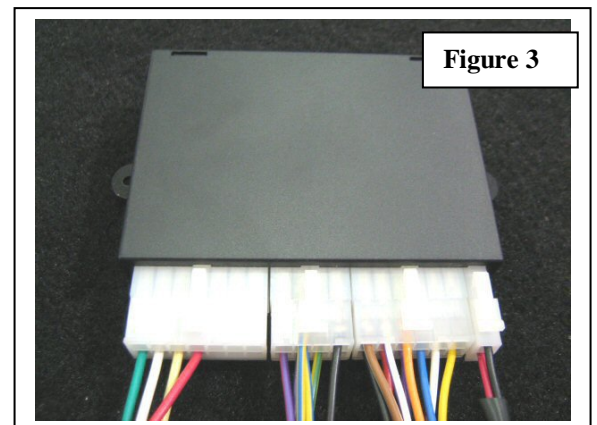


Figure 3

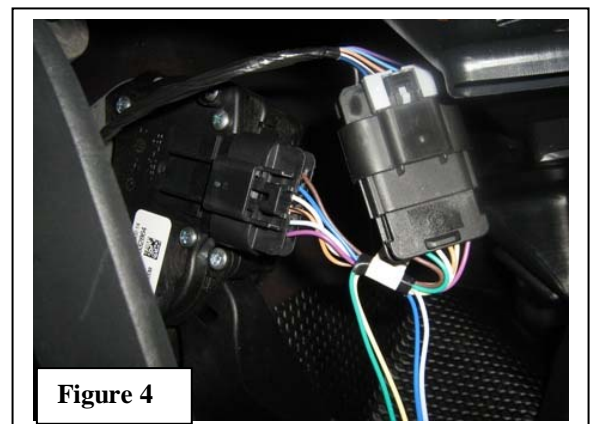
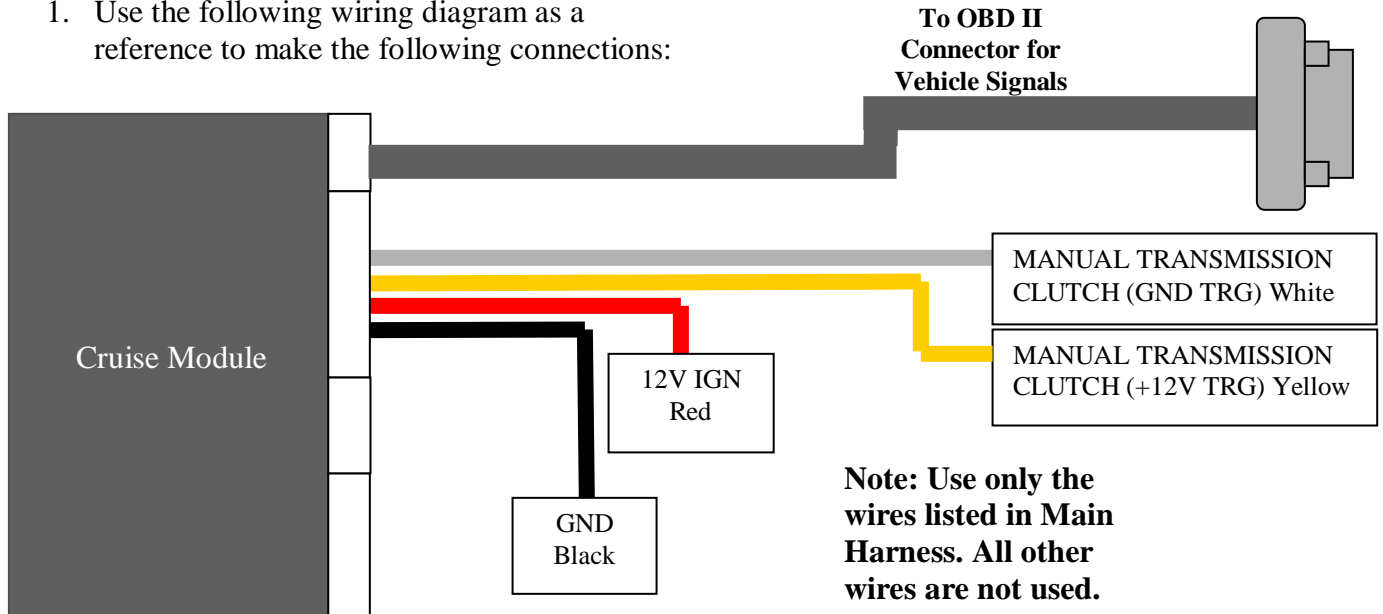


Figure 4

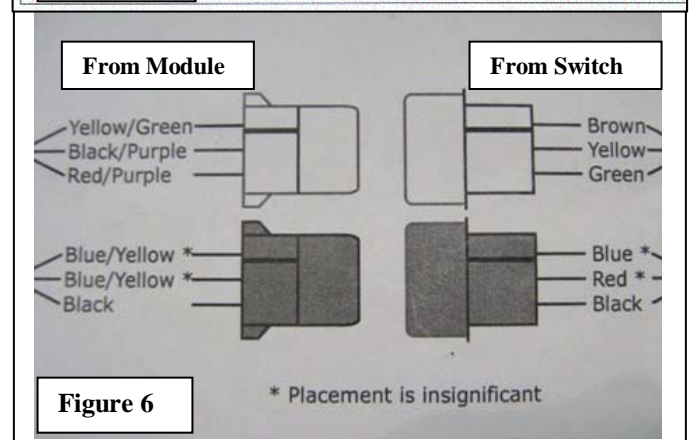
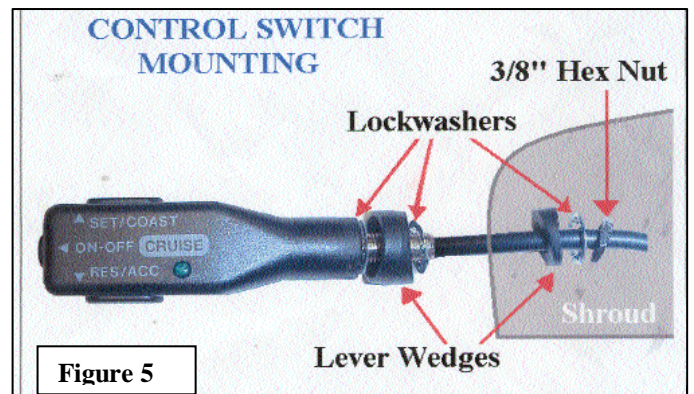
**C. Wiring Connections (See Wiring Harness Description on last page)**

1. Use the following wiring diagram as a reference to make the following connections:



**D. Install Control Switch**

1. Use the **level wedges** on the Control Switch at an angle template to drill a 3/8" or 9.5mm hole in the lower shroud of the steering column cover. Position lock-washers as shown. **Figure 5**
2. Apply nut and position Control Switch for driver's best view.
3. Assemble (2) 3-pin connectors from the sack parts to the mating wire colors on the Control switch harness. Use the diagram to mate the module harness to switch harness. **Figure 6**
4. Route the assembled Control Switch harness to the mating connector of the Cruise Control module.
5. Secure the Control Switch harness with zip ties away from moving parts.



**E. Testing**

1. Reconnect negative battery cable and torque to 35 lbs. Reenter anti-theft radio codes.



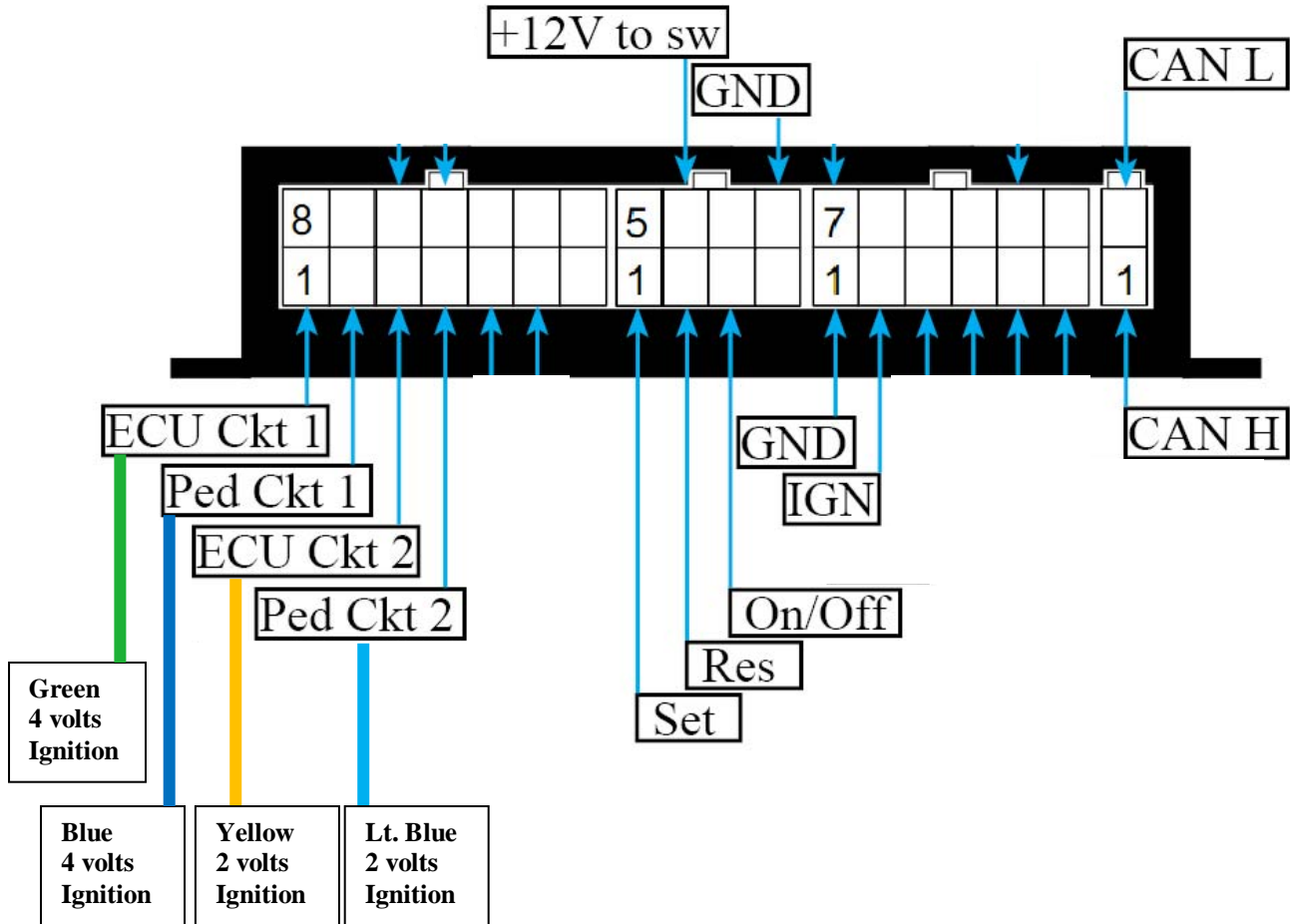
2. Turn ignition on. Apply the on/off button of Cruise Control Switch.

 **G. Reassembly**

1. Reinstall all removed pieces taking care to ensure harnesses and wiring connections are properly secured.

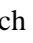
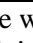
2. Make sure all harnesses are not pinched or bound by trim pieces.

H. Wiring Diagram



**Note: All Pedal Interface Harness  
Voltages are with pedal fully depressed**

## MAIN WIRING HARNESS

Function	Color	Results	Fault Conditions
Ignition	Red	+12V when switched on and +0V when switched off. Ignition must be greater than +10V while cranking vehicle.	No power, voltage drop, or intermittent connection will cause Loss of pedal or "Limp Mode" condition.
Ground	Black	Lowest resistance to ground closest to zero (0) ohms as possible. Use a vehicle ground point where other ground wires are connected to.	A bad ground connection will cause the following conditions: Cruise will not function; Loss of pedal or "Limp Mode" condition.
Clutch (GND triggered)	White	Ground active wire at switch when clutch is depressed.	Cruise will not function if wrong wire is connected – OR–  <b>Cruise will not disengage when clutch is depressed.</b>
Clutch (+12V triggered)	Yellow	+12V active wire at switch when clutch is depressed.	Cruise will not function if wrong wire is connected – OR–  <b>Cruise will not disengage when clutch is depressed.</b>

**CHEVY COBALT**

**2009-2010**

**E-CRUISE 2 KIT**

**Part Number: 250-9506**

**AUTOMATIC TRANSMISSION**

**NOTES:**

