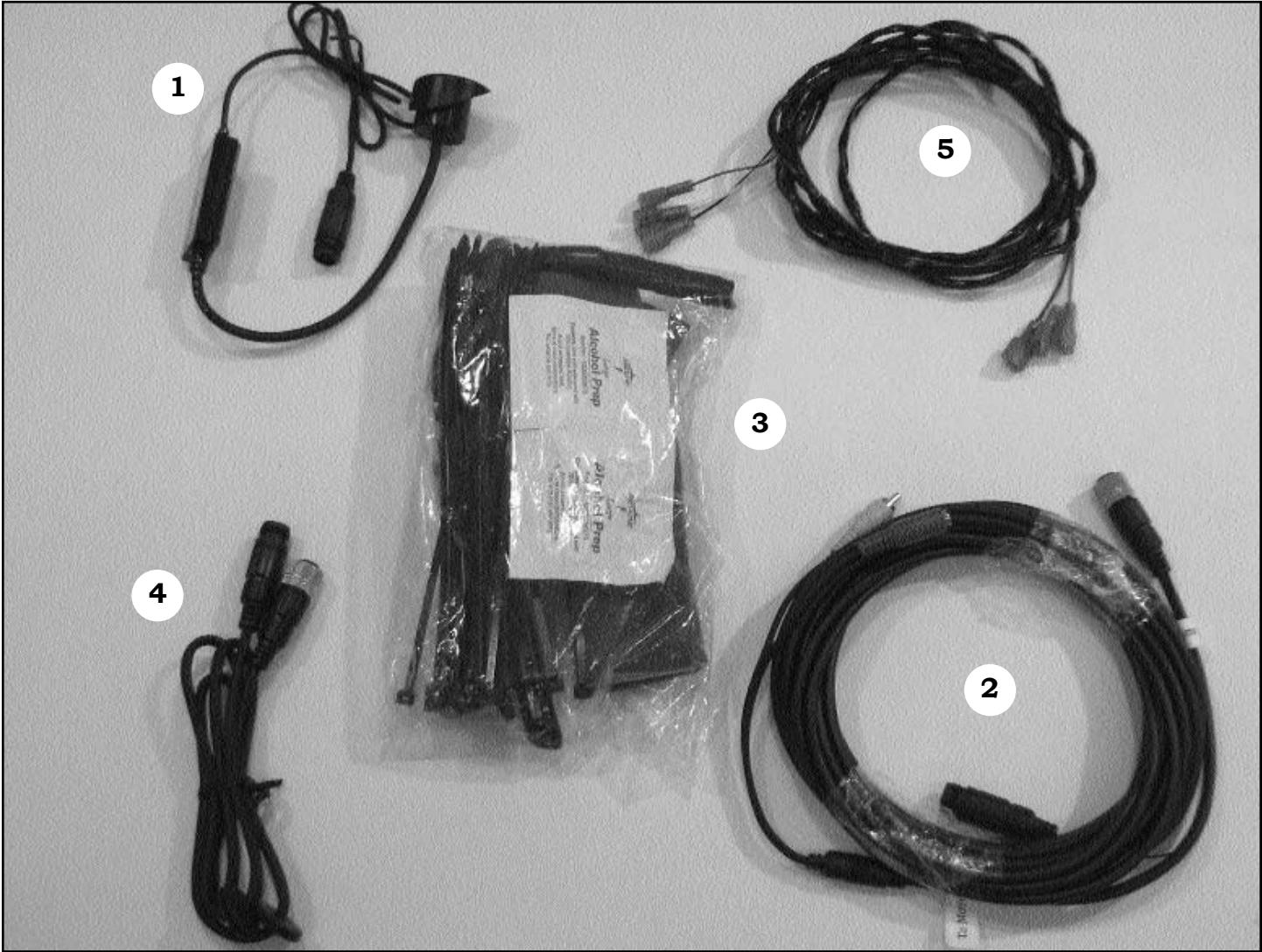




# PARTS IDENTIFICATION

ITEM	QUANTITY	PART NUMBER	DESCRIPTION
1	1	250-8540	CAMERA ASSEMBLY
2	1	250-8516	TRUCK EXTENSION HARNESS
3	1	250-8028	SACK PARTS: TIE STRAPS, ALCOHOL PADS, FOAM TAPE
4	1	250-8518	TAILGATE EXTENSION HARNESS
5	1	250-8534	INTERFACE HARNESS



**\*BEFORE** BEGINNING INSTALLATION, **FAMILIARIZE** YOURSELF WITH THE INSTALLATION INSTRUCTIONS AND THE **REARSIGHT™** BACK-UP CAMERA SYSTEM COMPONENTS.

# INSTALLATION



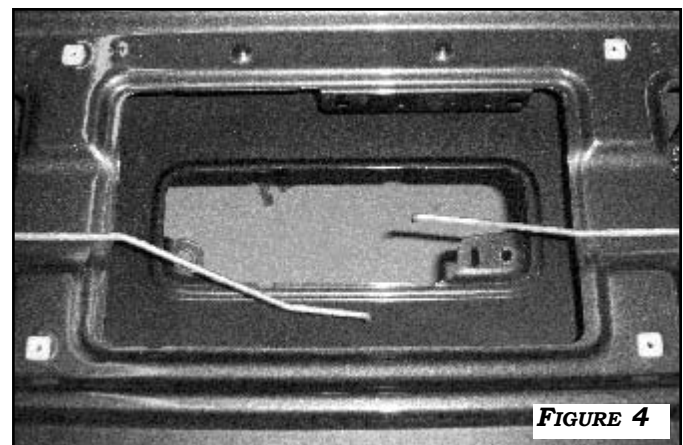
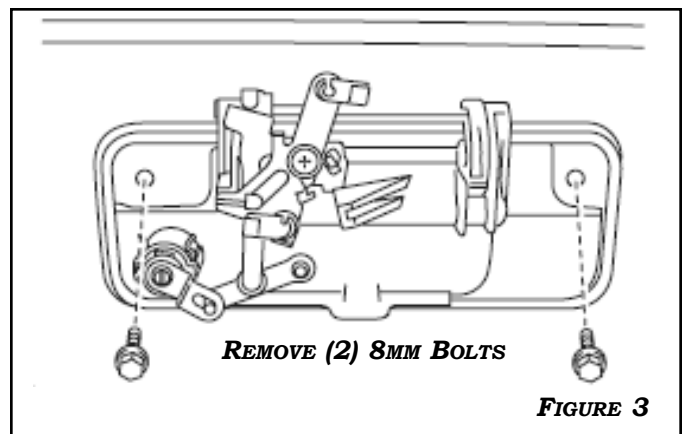
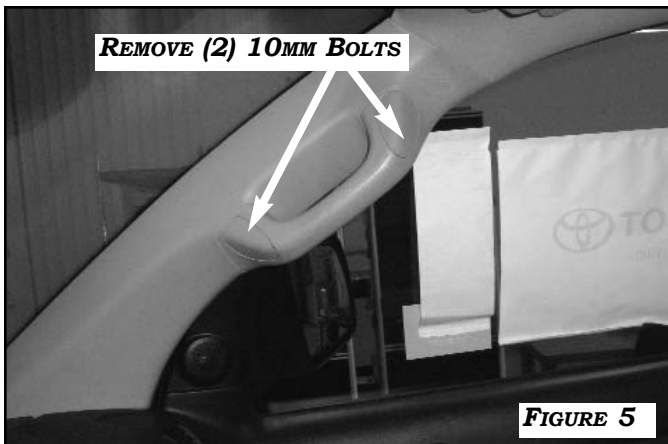
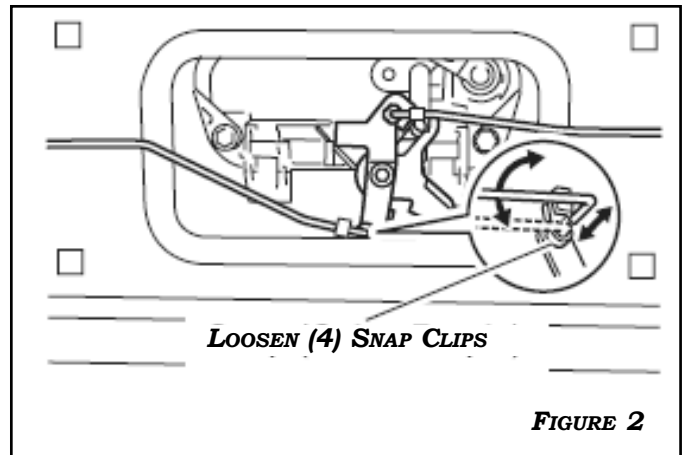
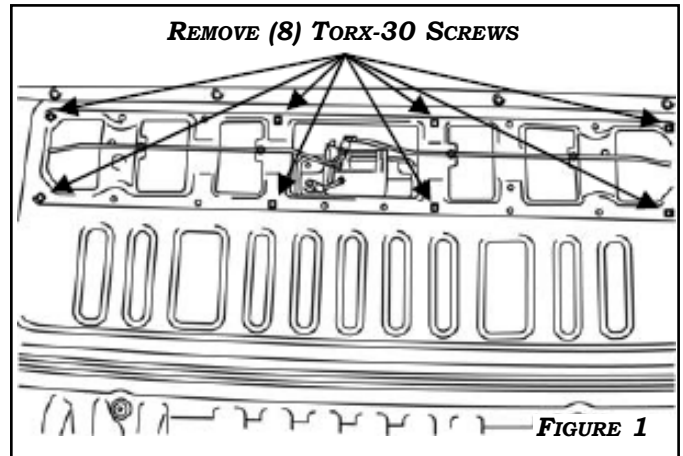
**CAUTION:** It is advisable to disconnect the negative battery cable for 3 minutes before beginning installation, to avoid unintended air bag deployment. Note and record any anti-theft radio codes prior to disconnecting.



## VEHICLE PREPARATION



1. REMOVE THE TAIL GATE HOLE SERVICE COVER BY REMOVING EIGHT (8) TORX-30 SCREWS. **FIGURE 1**
2. DISCONNECT THE LATCH MECHANISM CONTROL RODS FROM THE LATCH BY UNSNAPPING THE FOUR (4) ORANGE AND PURPLE CLIPS. **FIGURE 2**
3. REMOVE THE TWO (2) 8MM BOLTS ON HOLDING THE LATCH TO THE TAILGATE AND REMOVE THE LATCH. **FIGURES 3-4.**
4. REMOVE OR LOOSEN PASSENGER SIDE TRIM PANELS INCLUDING: A-PILLAR TRIM (REMOVE 2 10MM BOLTS), KICK-PANEL, AND DOOR SILL TRIM; B-PILLAR WEATHERSTRIP, AND SCUFF PANELS. **FIGURES 5-6.**

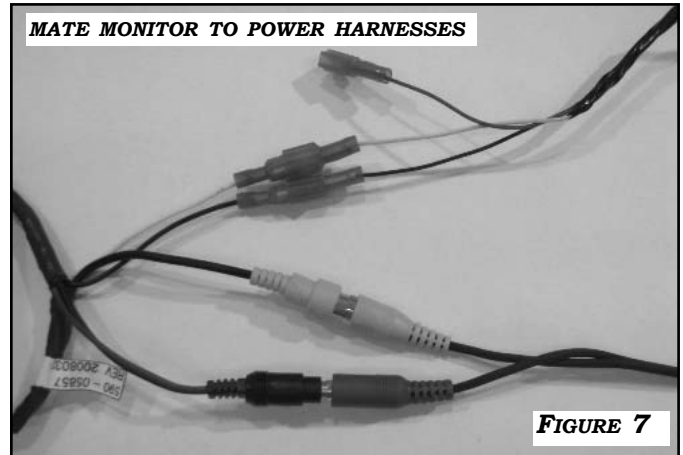


# INSTALLATION

## MONITOR POWER CONNECTIONS AND ROUTING HARNESSES



1. LOCATE THE POWER CONNECTIONS AT THE MONITOR HARNESS. CONNECT THE YELLOW **MALE RCA** VIDEO CONNECTOR OF THE TRUCK EXTENSION HARNESS TO **VIDEO 1** (YELLOW CONNECTOR) OF THE MONITOR HARNESS. CONNECT THE RED **MALE DC** POWER CONNECTOR OF THE TRUCK EXTENSION HARNESS TO THE MONITOR **POWER 1** OUTPUT (BLACK CONNECTOR) OF THE MONITOR HARNESS. **FIGURE 7.** WRAP ALL **RCA** AND **DC** CONNECTORS WITH THE FOAM TAPE AND WIRE TIES PROVIDED.

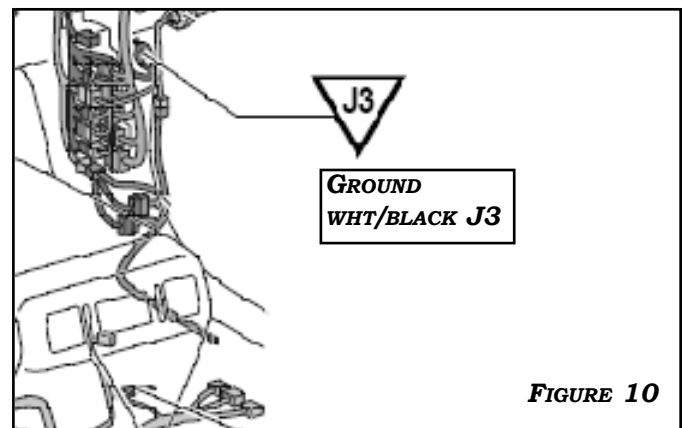
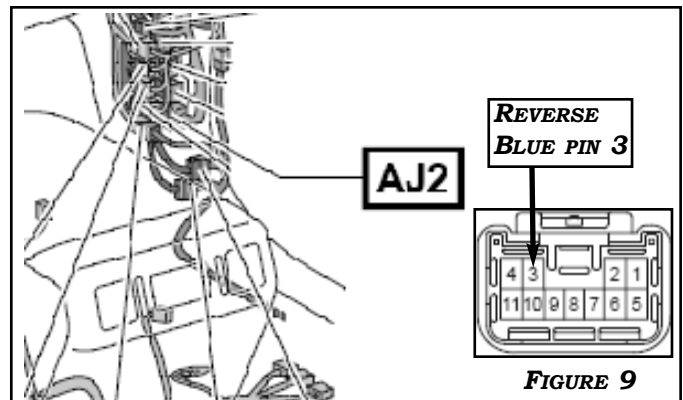


2. CONNECT THE **WHITE REVERSE WIRE** OF THE POWER HARNESS TO THE **WHITE WIRE** OF THE MONITOR HARNESS. CONNECT THE **BLACK GROUND WIRE** OF THE POWER HARNESS TO THE **BLACK WIRE** OF THE MONITOR HARNESS. **FIGURE 7.**



3. ROUTE HARNESSES ABOVE HEADLINER TO PASSENGER-SIDE A-PILLAR. ROUTE HARNESSES DOWN THE A-PILLAR USING FACTORY RETAINING CLIPS OR FOAM TAPE WHENEVER POSSIBLE. **IF THE VEHICLE HAS SIDE CURTAIN AIRBAGS, BE SURE TO SECURE THE HARNESSES SO THAT IT DOES NOT INTERFERE WITH AIRBAG DEPLOYMENT.** ROUTE THE HARNESSES FROM THE A-PILLAR TO THE KICKPANEL. **FIGURE 8**

4. LOCATE THE WHITE BOTTOM CONNECTOR **AJ2** AT THE KICKPANEL. USE THE SUPPLIED RED T-TAP TO CONNECT THE **WHITE REVERSE WIRE** OF THE POWER HARNESS TO THE **BLUE WIRE** IN **PIN 3** OF CONNECTOR **AJ2**. **FIGURE 9.** USE THE SUPPLIED BLUE T-TAP TO CONNECT THE **BLACK GROUND WIRE** OF THE POWER HARNESS TO THE **WHITE/BLACK WIRE** AT **GROUND POINT J3**. **FIGURE 10.** SECURE ALL HARNESSES WITH WIRE TIES.

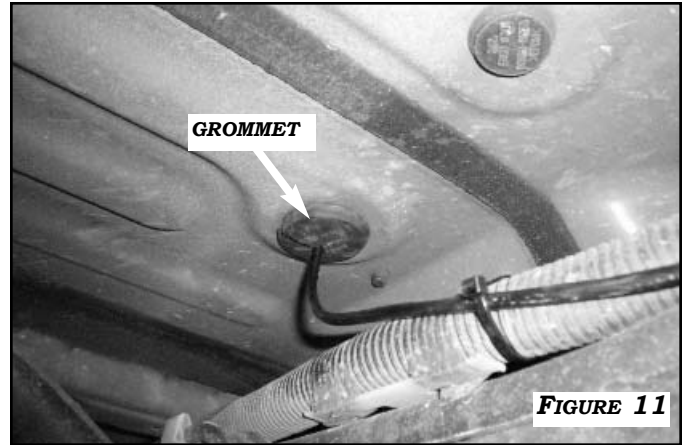


# INSTALLATION

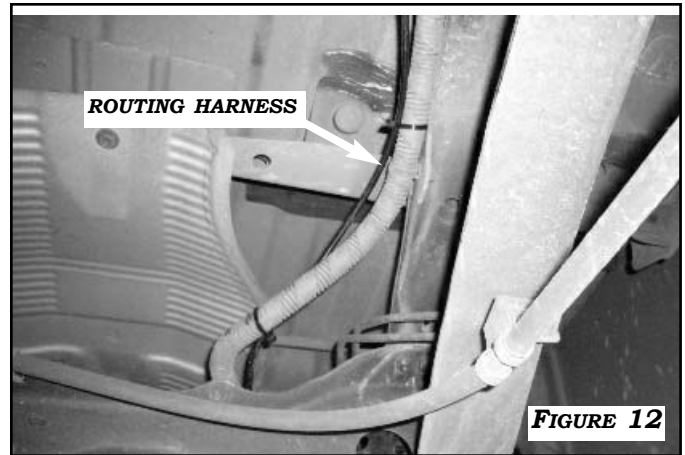
## MONITOR POWER CONNECTIONS AND ROUTING HARNESES CONTINUED...



5. ROUTE THE TRUCK EXTENSION HARNESS FROM THE KICK-PANEL, UNDER B-PILLAR, AND REAR DOOR SCUFF PLATE. USE THE FACTOR WIRE CHANNELS AND RETAINING CLIPS. EXIT THE TRUCK EXTENSION HARNESS THROUGH GROMMET UNDER THE REAR PASSENGER SIDE CARPET. **FIGURE 11.** ROUTE THE TRUCK EXTENSION HARNESS WITH THE EXISTING VEHICLE WIRING UNDER TRUCK BED. **FIGURE 12.** CONTINUE ROUTING HARNESS TO REAR OF TRUCK AT THE AREA NEAR THE RIGHT SIDE OF SPARE TIRE.



**FIGURE 11**

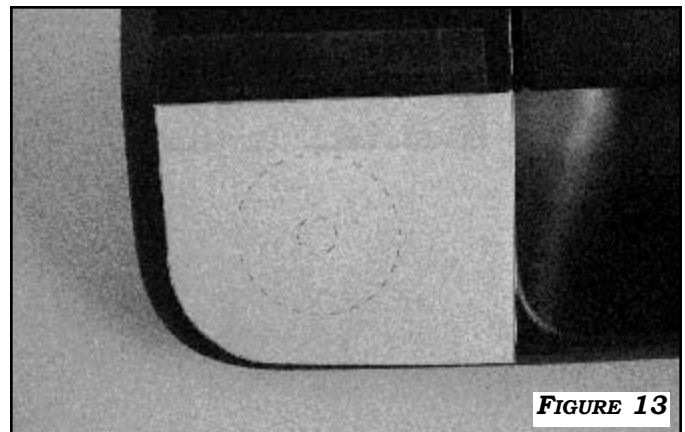


**FIGURE 12**

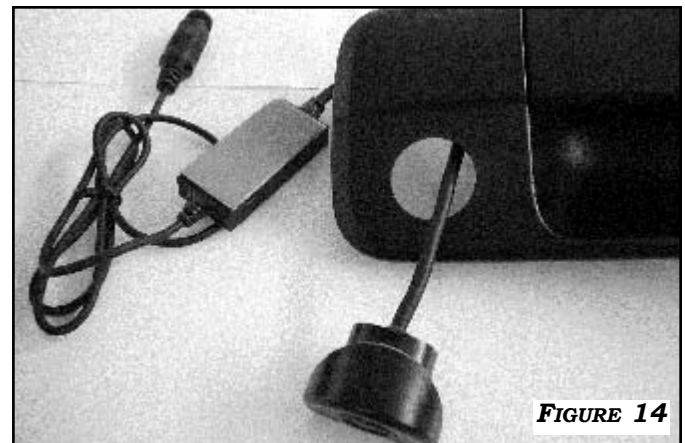
## CAMERA INSTALLATION



1. CUT OUT THE CAMERA HOLE DRILLING TEMPLATE ON PAGE 5 OF THIS MANUAL. AFFIX IT TO THE TAIL GATE LATCH AS SHOWN IN **FIGURE 13.** DRILL A 1/4" PILOT HOLE AND THEN ENLARGE IT TO 1-1/16". CLEAN AND DE-BURR THE HOLE.
2. INSERT THE REARSIGHT CAMERA INTO THE HOLE TO CHECK FOR FITMENT. **DO NOT** REMOVE THE LINING ON THE TAPE OF THE CAMERA SHROUD YET. IF THE CAMERA WON'T FIT FLUSH WITH THE LATCH, USE A KNIFE TO CHAMFER THE INNER EDGE OF THE HOLE SO THAT THE CAMERA WILL FIT. CLEAN THE OUTSIDE AREA AROUND THE HOLE WITH THE SUPPLIED ALCOHOL PAD AND THEN MOUNT THE CAMERA TO THE LATCH USING THE MOUNTING TAPE. MOUNT THE LATCH INTO THE TAILGATE. **FIGURES 14-15**



**FIGURE 13**



**FIGURE 14**

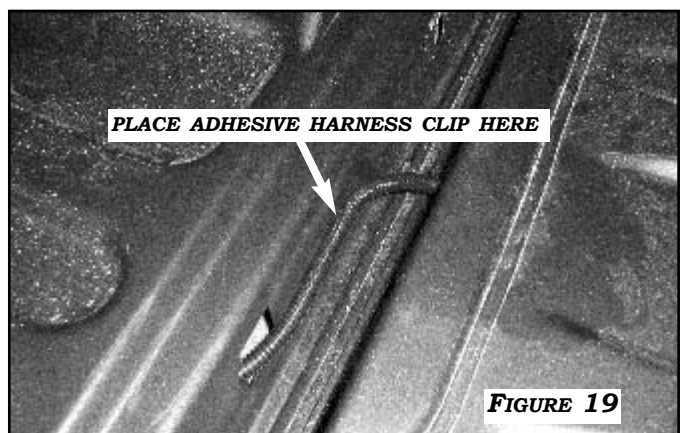
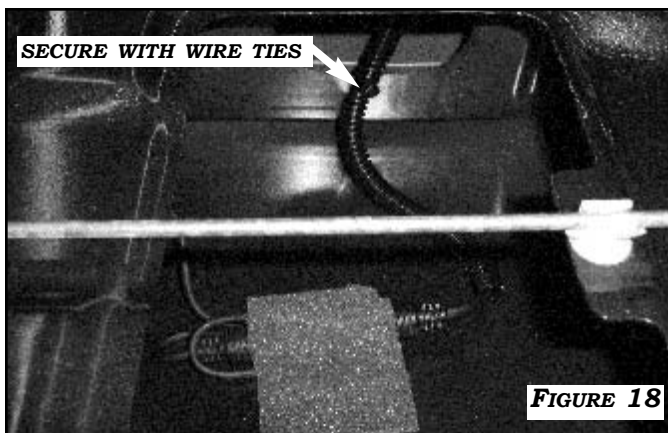
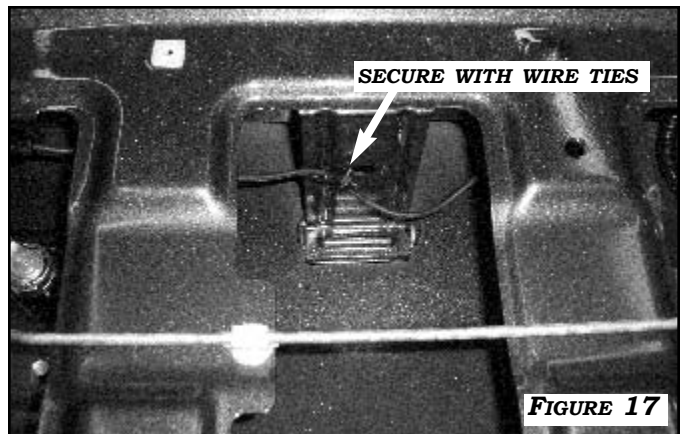
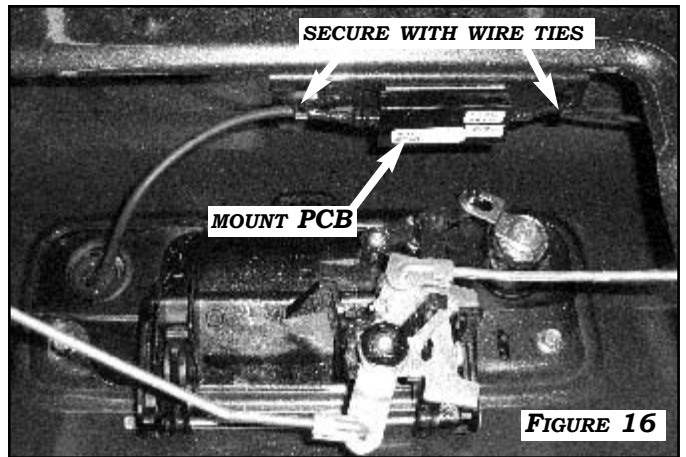
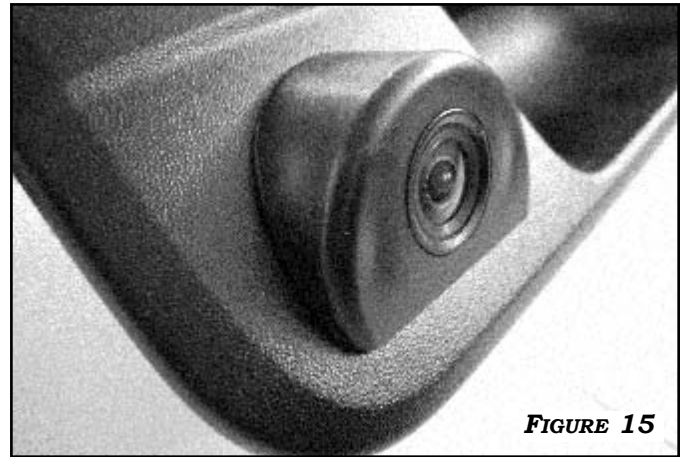


# INSTALLATION

## CAMERA POWER CONNECTIONS AND ROUTING HARNESS



1. CLEAN THE AREA SHOWN IN **FIGURE 16** WITH ALCOHOL AND MOUNT THE CAMERA PCB TO THIS SPOT USING THE DOUBLE-SIDED TAPE. SECURE THE HARNESS WITH WIRE TIES AS SHOWN. ROUTE THE CAMERA HARNESS TO THE RIGHT OF THE TAILGATE, SECURING WITH WIRE TIES AS SHOWN IN **FIGURE 17**. **APPLY THE CONVOLUTED TUBING IN THE HARDWARE BAG TO THE TAILGATE EXTENSION HARNESS**. CONNECT THE CAMERA HARNESS TO THE TAILGATE EXTENSION HARNESS BY SCREWING THE TWO CONNECTORS TOGETHER. SECURE THE CONNECTOR TO THE TAILGATE WITH FOAM TAPE TO PREVENT RATTLES. **FIGURE 18**
2. ROUTE THE TAILGATE EXTENSION HARNESS TO THE HOLE AT THE BOTTOM RIGHT SIDE OF THE TAILGATE. PULL THE CONNECTOR THROUGH, THEN INSERT ROUTE THE HARNESS UNDER THE BED THROUGH THE SECOND HOLE AS SHOWN IN **FIGURE 19**. CLEAN THE AREA WITH ALCOHOL THEN ATTACH THE SUPPLIED ADHESIVE HARNESS CLIP TO THE BOTTOM OF THE TAILGATE TO SECURE THE HARNESS AS SHOWN IN **FIGURE 19**.
3. CONNECT THE TAILGATE EXTENSION HARNESS TO THE TRUCK EXTENSION HARNESS UNDER THE BED AS SHOWN IN **FIGURE 20**. CLEAN THE AREA WITH ALCOHOL THEN ATTACH THE SUPPLIED ADHESIVE HARNESS CLIP TO THE BOTTOM OF THE TRUCK BED TO SECURE THE DUMMY PLUG OF THE TRUCK EXTENSION HARNESS AS SHOWN.



# TESTING AND REASSEMBLY

## TESTING



1. RECONNECT NEGATIVE BATTERY CABLE AND TORQUE TO **3 FT\*LBS**. RE-ENTER ANY THEFT DETERRENT INFORMATION, IF APPLICABLE.

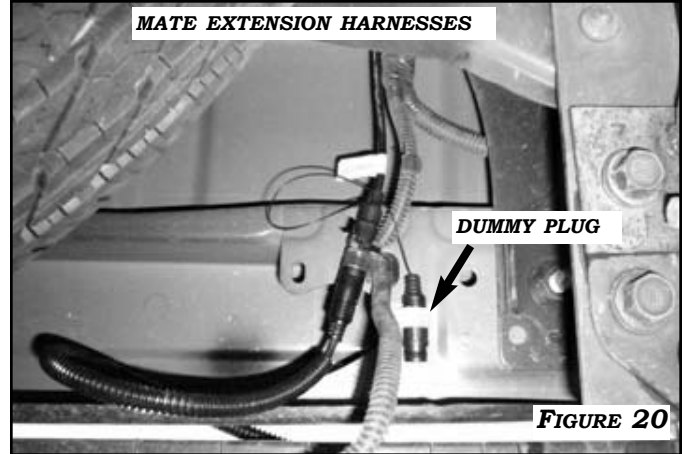


2. TURN THE IGNITION SWITCH **ON**. PUT THE VEHICLE IN REVERSE. VERIFY THAT THE REARSIGHT MONITOR IS ON AND THAT THE CAMERA'S PICTURE APPEARS.
3. IF THERE IS NO PICTURE, VERIFY ALL CONNECTIONS ARE SECURE.

## REASSEMBLY

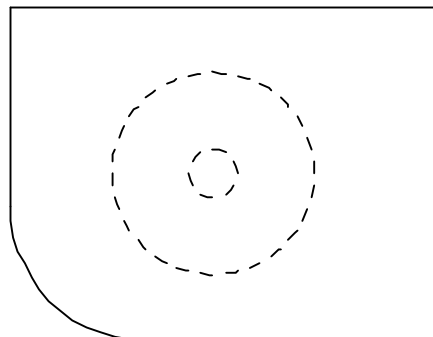


1. REINSTALL ALL TRIM PIECES TAKING SPECIAL CARE TO ENSURE HARNESSES AND WIRING CONNECTIONS ARE PROPERLY SECURED.
2. BE SURE HARNESS IS NOT PINCHED OR BOUND BY TRIM PIECES.
3. PLACE THE OWNER'S CARD AND TAILGATE REMOVAL CARD BAG IN THE GLOVE BOX.
4. RECONNECT ALL DISCONNECTED BULBS AND CHECK FOR FUNCTION.



---

# CAMERA TEMPLATE



**CUT OUT THIS TEMPLATE. USE CENTER HOLE FOR PILOT. FINISHED HOLE SIZE SHOULD BE 1-1/16"**

# NOTES



**ROSTRA.COM**