

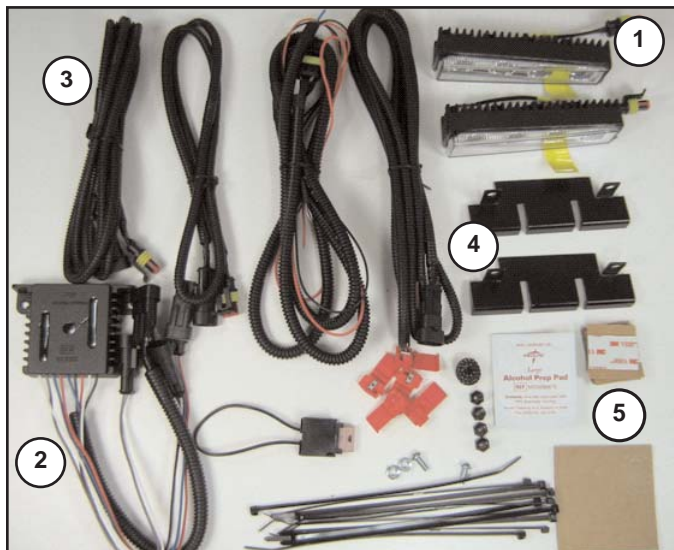


**GENERAL APPLICABILITY**

TOYOTA TACOMA

**KIT CONTENTS**

ITEM	QTY	DESCRIPTION
1	2	LED DAYTIME RUNNING LIGHTS
2	1	CONTROL MODULE
3	1	DRL EXTENSION HARNESSSES
4	1	MOUNTING BRACKETS
5	1	HARDWARE PACKAGE



**RECOMMENDED TOOLS**

PERSONAL & VEHICLE PROTECTION	
SAFETY GLASSES	
MASKING TAPE	
SPECIAL TOOLS	
VOLT-OHM METER	
RECOMMENDED INSTALLATION TOOLS	
TRIM REMOVAL TOOL	PHILLIPS SCREWDRIVER
TAPE MEASURE	10-MM WRENCH
DRILL BITS	SOLDERING TOOL
WIRE CUTTERS	SHARP KNIFE
SPECIAL CHEMICALS	

**CONFLICTS**

NOTE:

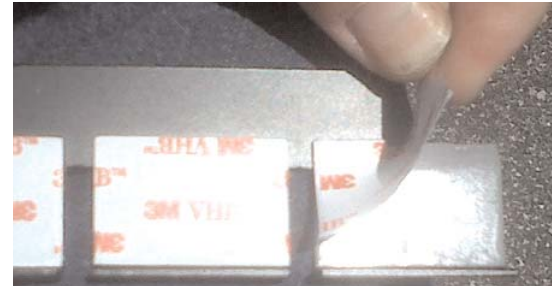
**LEGEND**

	<b>STOP:</b> DAMAGE TO VEHICLE MAY OCCUR. DO NOT PROCEED UNTIL PROCESS COMPLIANCE HAS BEEN MET.
	<b>OPERATOR SAFETY:</b> USE CAUTION TO AVOID RISK OF INJURY.
	<b>CRITICAL PROCESS:</b> PROCEED WITH CAUTION TO ENSURE A QUALITY INSTALLATION. THESE POINTS WILL BE AUDITED ON A COMPLETED VEHICLE INSTALLATION.
	<b>GENERAL PROCESS:</b> THIS HIGHLIGHTS SPECIFIC PROCESSES TO ENSURE A QUALITY INSTALLATION. THESE POINTS WILL BE AUDITED DURING THE ACCESSORY INSTALLATION.
	<b>TOOLS &amp; EQUIPMENT:</b> THIS CALLS OUT THE SPECIFIC TOOLS AND EQUIPMENT REQUIRED FOR THE PROCESS.
	<b>REVISION MARK:</b> THIS MARK HIGHLIGHTS A CHANGE IN INSTALLATION WITH RESPECT TO PREVIOUS ISSUE.

# INSTALLATION

## MOUNTING INSTRUCTIONS

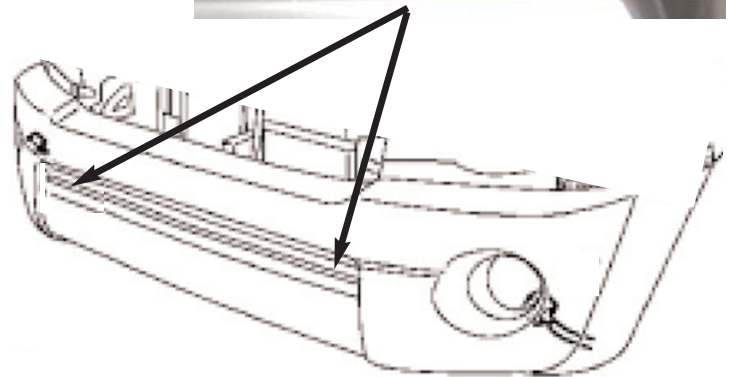
1. USING SUPPLIED BRACKETS AND HARDWARE, MOUNT DRLs IN LOCATION SHOWN.



## BRACKET MOUNTING



1. CLEAN MOUNTING AREA WITH ALCOHOL. PLACE BRACKET INTO SELECTED POSITION. PRESS AND HOLD BRACKET DOWN FIRMLY FOR 5 SECONDS BEFORE RELEASING.



## DRL MOUNTING

1. YOU MUST USE 2 WASHERS PER BOLT WHEN MOUNTING DRL TO BRACKET.
2. DRL LIGHT ANGLE CAN BE ADJUSTED BY PLACING WASHER(S) IN FRONT OF OR BEHIND BRACKET MOUNT TABS.

