

KIT CONTENTS

ITEM	QTY	DESCRIPTION
1	1	INTERFACE ADAPTER HARNESS
2	1	REAR CAMERA ASSEMBLY
3	1	CAMERA INTERFACE HARNESS
4	1	SACK PARTS

HARDWARE BAG CONTENTS

ITEM	QTY	DESCRIPTION
1	10	WIRE TIES
2	3	ADHESIVE FOAM
3	1	SEALING PUTTY
4	1	ALCOHOL PAD

ADDITIONAL ITEMS REQUIRED FOR INSTALL

ITEM	QTY	DESCRIPTION
1	N/A	ELECTRICAL TAPE
2		
3		
4		

CONFLICTS

NOTE:

RECOMMENDED TOOLS

SAFETY TOOLS	
SPECIAL TOOLS	
INSTALLATION TOOLS	
FASTENER REMOVAL TOOL	WIRE CUTTERS
TRIM REMOVAL TOOL	T30 TORX SOCKET
10-MM DEEP SOCKET	
TORQUE WRENCH (36 IN.LB.)	
SPECIAL CHEMICALS	

COLOR APPLICABILITY/TRIM LEVEL

ACCESSORY COLOR	VEHICLE TRIM COLOR															







GENERAL APPLICABILITY

ALL MODELS

RECOMMENDED SEQUENCE OF APPLICATION

* MANDATORY

LEGEND

-  **STOP:** DAMAGE TO VEHICLE MAY OCCUR. DO NOT PROCEED UNTIL PROCESS COMPLIANCE HAS BEEN MET.
-  **OPERATOR SAFETY:** USE CAUTION TO AVOID RISK OF INJURY.
-  **CRITICAL PROCESS:** PROCEED WITH CAUTION TO ENSURE A QUALITY INSTALLATION. THESE POINTS WILL BE AUDITED ON A COMPLETED VEHICLE INSTALLATION.
-  **GENERAL PROCESS:** THIS HIGHLIGHTS SPECIFIC PROCESSES TO ENSURE A QUALITY INSTALLATION. THESE POINTS WILL BE AUDITED DURING THE ACCESSORY INSTALLATION.
-  **TOOLS & EQUIPMENT:** THIS CALLS OUT THE SPECIFIC TOOLS AND EQUIPMENT REQUIRED FOR THE PROCESS.
-  **REVISION MARK:** THIS MARK HIGHLIGHTS A CHANGE IN INSTALLATION WITH RESPECT TO PREVIOUS ISSUE.

SPECIAL NOTE: INSTALLATION SEQUENCES

AFTER SAFETY MANDATED PREPARATORY STEPS HAVE BEEN TAKEN, THE INSTALLATION SEQUENCE IS THE SUGGESTED METHOD FOR COMPLETING THE ACCESSORY INSTALLATION. IN SOME INSTANCES THE SUGGESTED SEQUENCE IS WRITTEN FOR ONE ASSOCIATE TO INSTALL AND IN OTHERS THE SEQUENCE IS GIVEN AS PART OF A TEAM ACCESSORY INSTALLATION. UNLESS OTHERWISE STATED IN THE DOCUMENT, THE ASSOCIATES MAY PERFORM THE INSTALLATION STEPS IN ANY ORDER TO MAKE THE INSTALLATION AS EFFICIENT AS POSSIBLE WHILE MAINTAINING CONSISTENT QUALITY.

PARTS IDENTIFICATION

ITEM	QUANTITY	PART NUMBER	DESCRIPTION
1	1	250-8554	INTERFACE ADAPTER HARNESS
2	1	250-8027	CAMERA INTERFACE HARNESS
3	1	250-8141	CMOS REAR CAMERA ASSEMBLY
4	1		SACK PARTS: TIE STRAPS, FOAM TAPE, SEALING PUTTY



***BEFORE** BEGINNING INSTALLATION, FAMILIARIZE YOURSELF WITH THE INSTALLATION INSTRUCTIONS AND THE **REARSIGHT™** BACK-UP CAMERA SYSTEM COMPONENTS.

VEHICLE PREPARATION



CAUTION: It is advisable to disconnect the negative battery cable for 3 minutes before beginning installation, to avoid unintended air bag deployment. Note and record any anti-theft radio codes prior to disconnecting.



VEHICLE PREPARATION



1. Use a screwdriver with its tip wrapped in protective tape to disengage the 4 clips and remove the air conditioner control assembly. Disconnect all connectors.

FIGURE 1

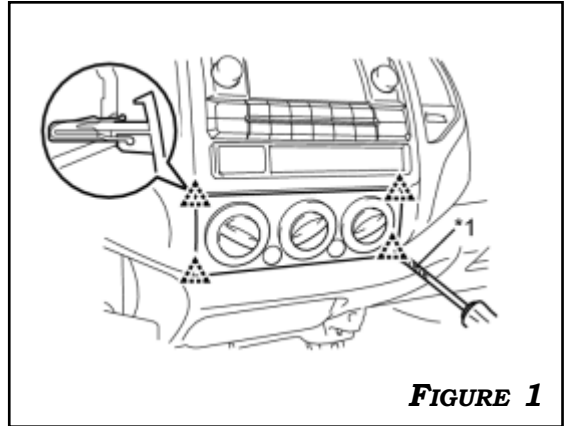


FIGURE 1

2. Remove 4 (10mm bolts) and disengage the 5 clips and remove the radio receiver assembly with bracket. Disconnect all connectors.

FIGURE 2

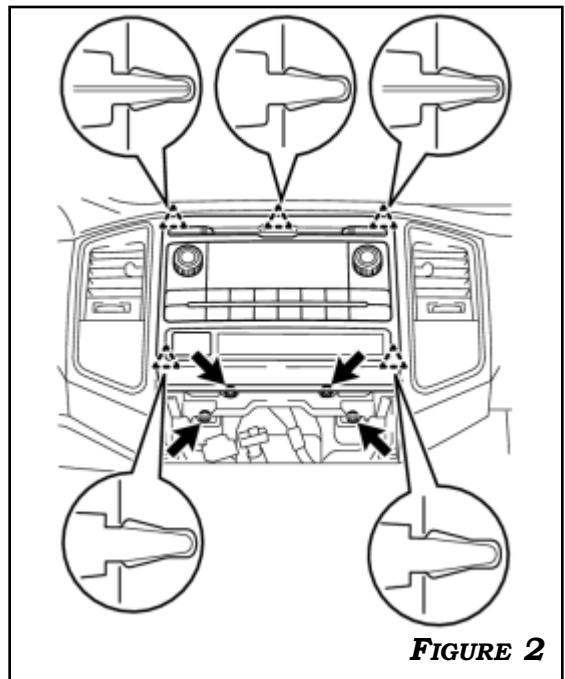


FIGURE 2

VEHICLE PREPARATION

VEHICLE PREPARATION CONTINUED...



3. DISENGAGE THE 2 CLIPS TO REMOVE THE FRONT DRIVER SIDE FLOOR FOOTREST. **FIGURE 3**

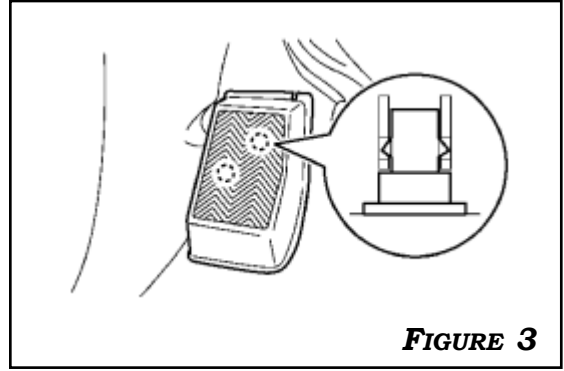


FIGURE 3

4. DISENGAGE CLIPS, AND REMOVE THE FRONT DOOR SCUFF PLATE AND KICK PANEL. **FIGURE 4**

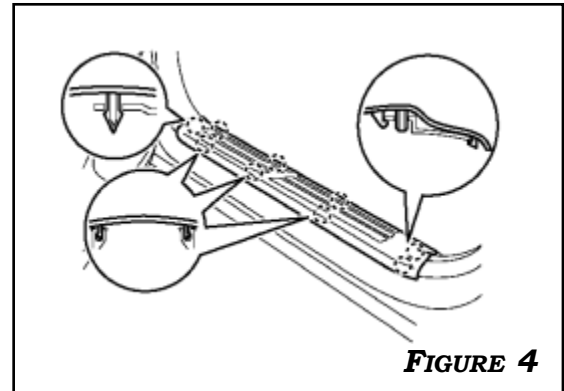


FIGURE 4

5. REMOVE (2) 10MM BOLTS AND DISENGAGE THE CLIPS TO REMOVE THE LOWER INSTRUMENT FINISH PANEL. **FIGURE 5**

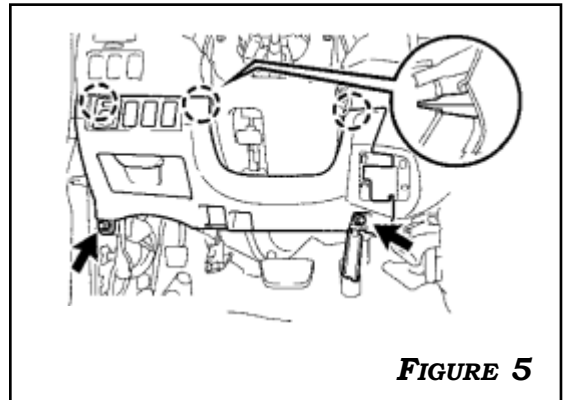


FIGURE 5

6. REMOVE (2) 10MM BOLTS AND DISENGAGE THE CLIPS TO REMOVE DRIVER SIDE FRONT PILLAR GARNISH. **FIGURE 6**

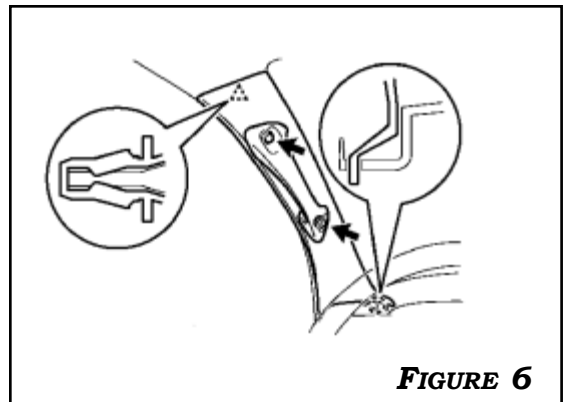


FIGURE 6

VEHICLE PREPARATION

VEHICLE PREPARATION CONTINUED...



7. USE A **T30** TORX SOCKET WRENCH TO REMOVE 7 SCREWS AND DISENGAGE CLIPS TO REMOVE THE TAIL GATE PROTECTOR.

FIGURE 7

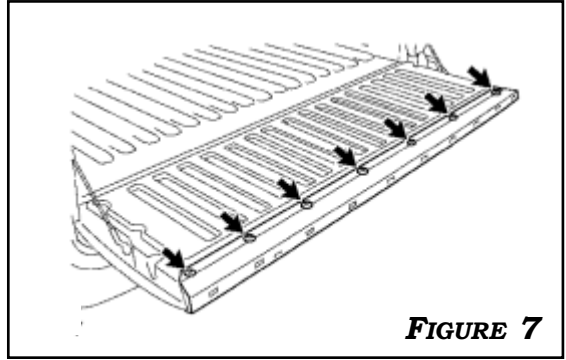


FIGURE 7

8. USE A **T30** TORX SOCKET TO RELEASE 8 SCREWS AND REMOVE THE TAILGATE SERVICE HOLE COVER. **FIGURE 8**

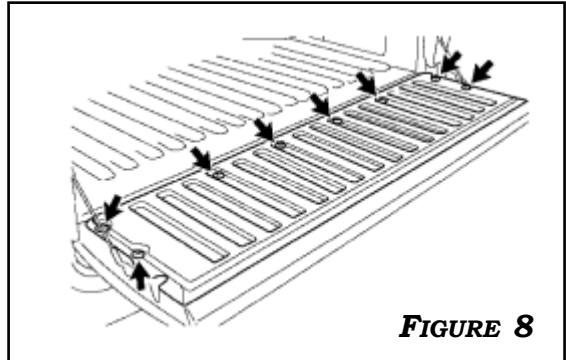


FIGURE 8

9. **DISCONNECT THE CONNECTOR AND REMOVE EXISTING WIRING CABLE IN TAILGATE.** REMOVE (2) 10MM BOLTS FROM DUMMY HOUSING. DISCARD DUMMY HOUSING. THE BOLTS WILL BE NEEDED LATER FOR THE CAMERA INSTALL. **FIGURE 9**

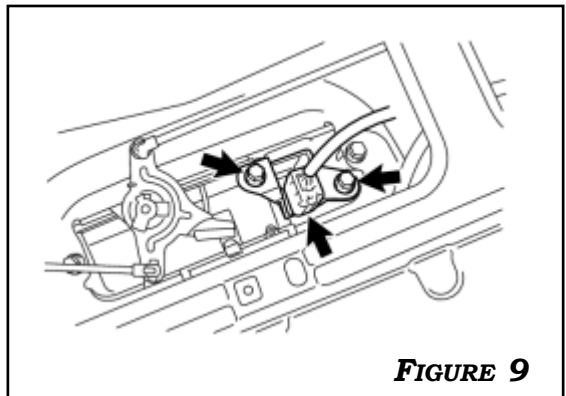


FIGURE 9

INSTALLATION

INSTALLING INTERFACE HARNESS



1. CONNECT THE **INTERFACE ADAPTER HARNESS** INTO RADIO RECEIVE CONNECTOR HOUSING **R17** AS SHOWN IN **FIGURE 10**. CONNECT VEHICLE WHITE CONNECTOR **R17** INTO MATING CONNECTOR OF THE INTERFACE ADAPTER HARNESS.

2. LOCATE REMOVED WHITE CONNECTOR **R15** FROM THE RADIO RECEIVER THAT CONNECTS BESIDE THE INTERFACE ADAPTER HARNESS CONNECTION. **FIGURE 11**. **BE SURE TO PULL OUT TERMINAL RETAINER AT THE CENTER OF CONNECTOR. FIGURE 12**. INSERT TERMINAL FROM INTERFACE ADAPTER HARNESS INTO PIN 2 OF CONNECTOR **R15**. **FIGURES 13 & 14**

3. CAREFULLY LOCK THE TERMINALS INTO PLACE. PULL THE TERMINALS BACK GENTLY TO CHECK WHETHER IT IS LOCKED CORRECTLY. REASSEMBLE CONNECTOR AND PLACE BACK ONTO ECM. **BE SURE RETAINER IS PRESSED IN BEFORE REINSTALLING**. SECURE HARNESS WITH WIRE TIES.

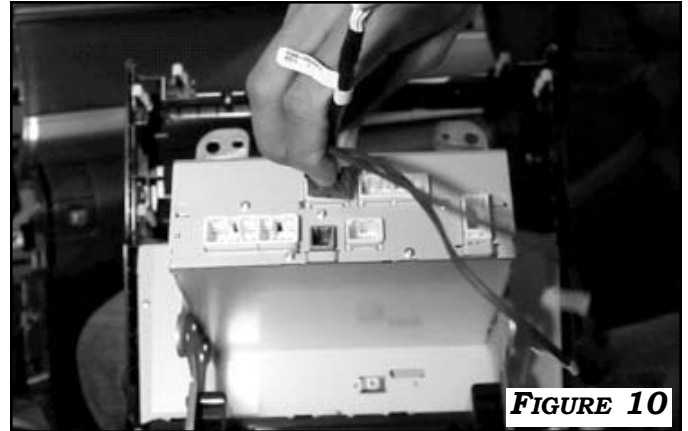


FIGURE 10

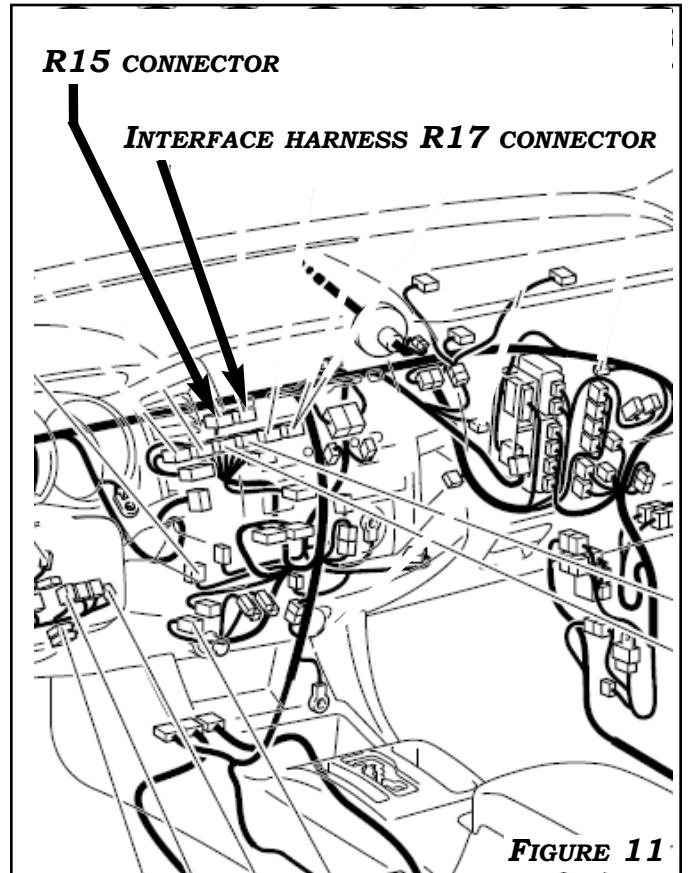


FIGURE 11

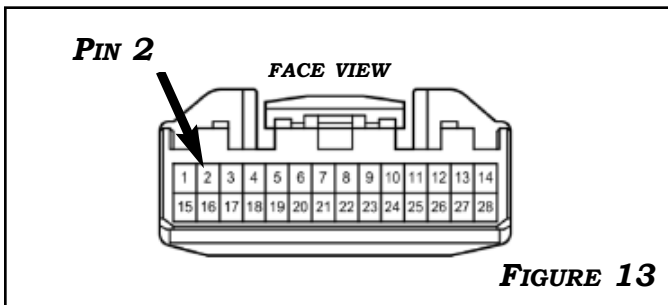


FIGURE 13

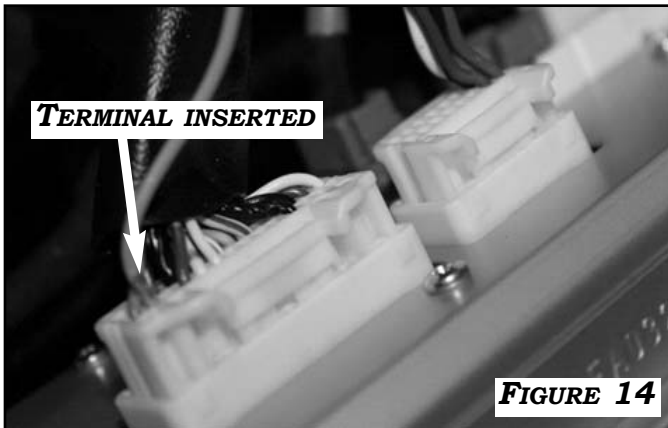


FIGURE 14

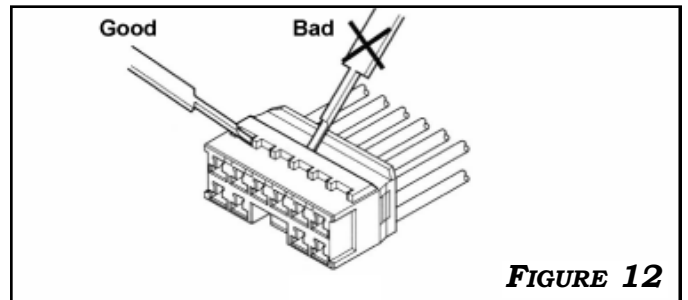


FIGURE 12

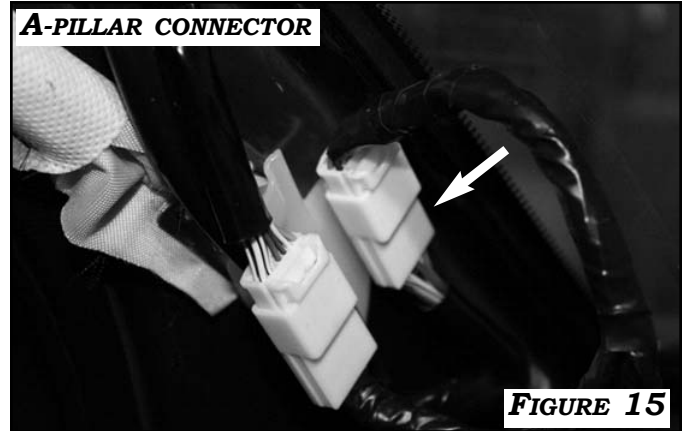
INSTALLATION

INSTALLING INTERFACE HARNESS

CONTINUED...



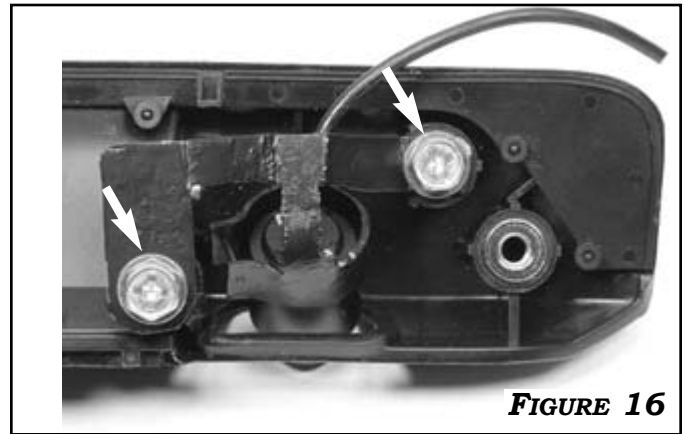
4. ROUTE **INTERFACE ADAPTER HARNESS** THROUGH THE LOWER DASH PANEL AREA TO DRIVER SIDE A-PILLAR USING THE FACTORY RETAINING CLIPS OR FOAM TAPE WHENEVER POSSIBLE. DISCONNECT WHITE 16-PIN PASS THROUGH CONNECTOR. INSTALL INTERFACE ADAPTER HARNESS. CONNECT WHITE 16-PIN CONNECTOR INTO MATING CONNECTOR OF THE INTERFACE ADAPTER HARNESS. **FIGURE 15**



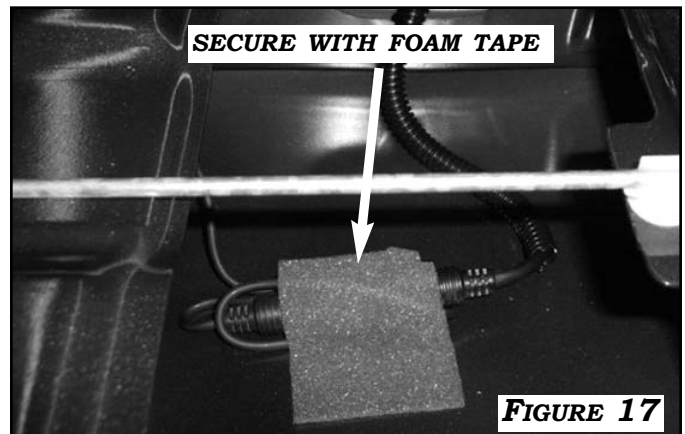
MOUNTING CAMERA AND ROUTING HARNESS



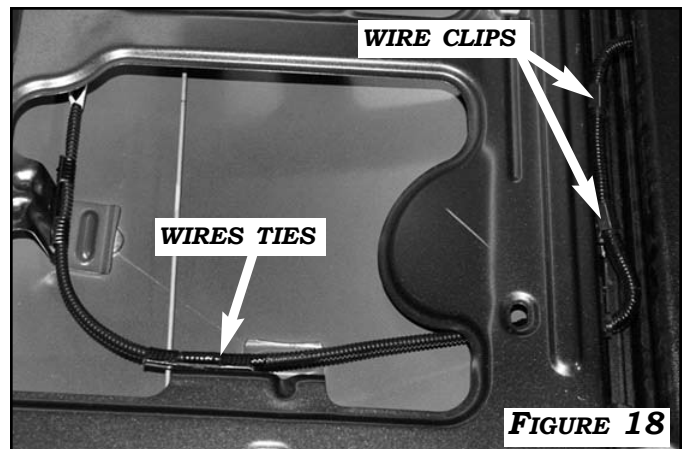
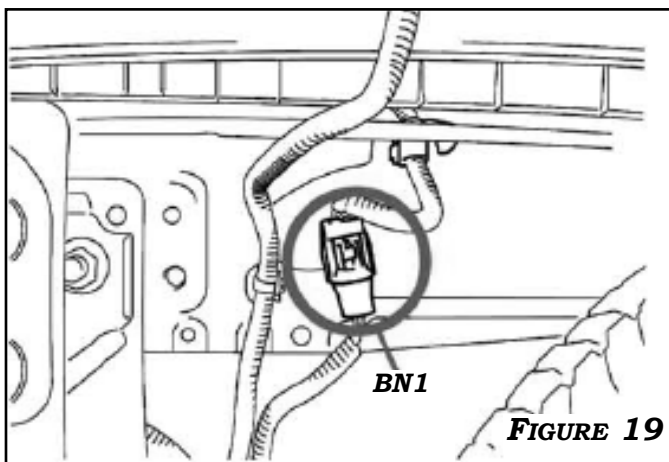
1. USE THE PREVIOUSLY REMOVED (2) 10MM BOLTS TO MOUNT **CAMERA ASSEMBLY** AND BRACKET TO LATCH. **FIGURE 16**. CONNECT THE CAMERA HARNESS TO THE **CAMERA INTERFACE HARNESS**. SECURE THE CONNECTOR TO THE TAILGATE WITH FOAM TAPE TO PREVENT RATTLES. **FIGURE 17**.



2. USE WIRE TIES AND EXISTING WIRE CLIPS WHEN ROUTING THE CAMERA INTERFACE HARNESS THOUGH TAILGATE. ROUTE THE CAMERA INTERFACE HARNESS TO THE HOLE AT THE BOTTOM RIGHT SIDE OF THE TAILGATE. PULL THE CONNECTOR THROUGH, THEN INSERT AND ROUTE THE HARNESS UNDER THE BED THROUGH THE SECOND HOLE. USE THE EXISTING HARNESS CLIPS AT THE BOTTOM OF THE TAILGATE TO SECURE THE HARNESS. **FIGURE 18**



3. CONNECT THE CAMERA INTERFACE HARNESS TO THE VEHICLE CAMERA CONNECTOR **BN1** UNDER THE BED AS SHOWN IN **FIGURE 19**. SECURE THE HARNESS WITH WIRE TIES.



TESTING AND REASSEMBLY

TESTING



1. RECONNECT NEGATIVE BATTERY CABLE AND TORQUE TO **3 FT LBS**. RE-ENTER ANY THEFT DETERRENT INFORMATION, IF APPLICABLE.



2. TURN THE IGNITION SWITCH **ON**. PUT THE VEHICLE IN REVERSE. VERIFY THAT THE RADIO DISPLAY IS ON AND THAT THE CAMERA'S PICTURE APPEARS.

3. IF THERE IS NO PICTURE, VERIFY ALL CONNECTIONS ARE SECURE.

REASSEMBLY



1. REINSTALL ALL TRIM PIECES TAKING SPECIAL CARE TO ENSURE HARNESES AND WIRING CONNECTIONS ARE PROPERLY SECURED.

2. BE SURE HARNESS IS NOT PINCHED OR BOUND BY TRIM PIECES.

3. PLACE THE OWNER'S CARD IN THE GLOVE BOX.

4. RECONNECT ALL DISCONNECTED BULBS AND CHECK FOR FUNCTION.

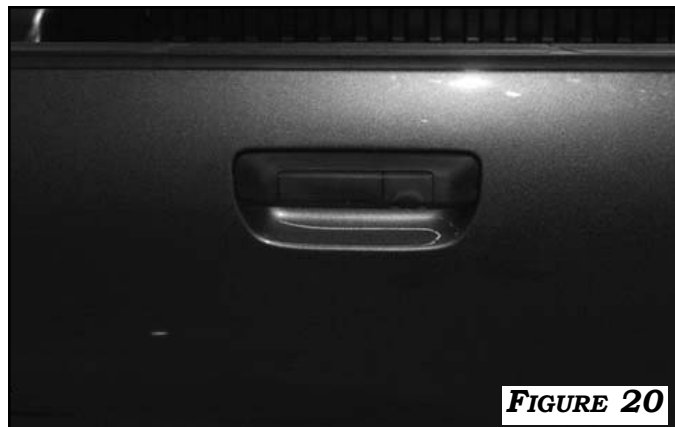


FIGURE 20



CHECK: _____

LOOK FOR: _____

ACCESSORY FUNCTION CHECKS

**TURN THE IGNITION SWITCH ON
AND PUT VEHICLE IN REVERSE**

**VERIFY CAMERA PICTURE COMES ON. (IMAGE WILL
DISAPPEAR WHEN VEHICLE IS TAKEN OUT OF GEAR)**

**TURN THE IGNITION SWITCH ON
AND PRESS "AUTO" BUTTON**

VERIFY LED LIGHT IS ON IN IGNITION

VEHICLE FUNCTION CHECKS

TAILGATE LATCH RELEASE

VERIFY LATCH RELEASE HANDLE OPERATES

BACK UP LIGHTS

**VERIFY BACK UP LIGHTS COMES ON WHEN
PLACED IN REVERSE**

**RADIO OPERATION (CHECK BY PLACING VEHICLE
IN REVERSE GEAR)**

RADIO SHOULD OPERATE NORMALLY

INSTALLATION NOTES:

