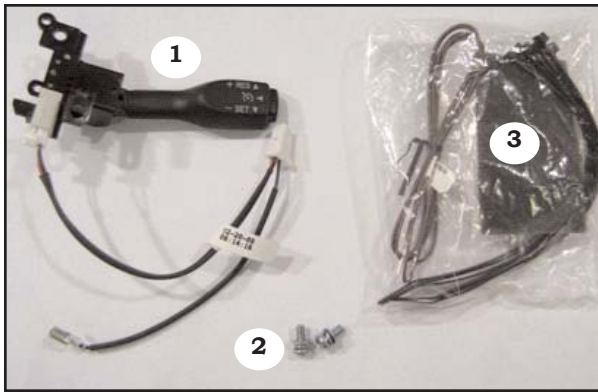


PART NUMBER: 250-1836



**BASE KIT CONTENTS**

ITEM	QTY	DESCRIPTION
1	1	CONTROL SWITCH ASSEMBLY
2	2	SCREWS (M5)
3	3	HARDWARE CONTENTS

**HARDWARE BAG CONTENTS**

ITEM	QTY	DESCRIPTION
1	1	CRUISE ECM HARNESS, BROWN
2	1	CRUISE ECM HARNESS, GREEN
3	1	CRUISE ECM HARNESS, BLUE
4	1	CRUISE GROUND HARNESS, BLACK
5	6	WIRE TIES
6	1	FOAM TAPE

**ADDITIONAL ITEMS REQUIRED FOR INSTALL**

ITEM	QTY	DESCRIPTION
		2012- TACOMA SHROUD 45186-04030-B0 (PART NO. FOR TOYOTA CRUISE SWITCH SHROUD)

**CONFLICTS**

NOTE:

**RECOMMENDED TOOLS**

PERSONAL & VEHICLE PROTECTION	
SAFETY GLASSES	
FENDER COVER	
GLOVES (OPTIONAL)	
SPECIAL TOOLS	
BATTERY POST PROTECTOR	
INSTALLATION TOOLS	
TRIM REMOVAL TOOL	PHILLIPS SCREWDRIVER
10-MM WRENCH	T-30 BIT
3/4 WRENCH DRIVE	TORQUE WRENCH
DRILL BITS	1/4" AND 1 1/2" HOLE SAW
14MM WRENCH	
SPECIAL CHEMICALS	

**SERVICE TOOL CONTENTS**

ITEM	QTY	DESCRIPTION	PART NUMBER








**GENERAL APPLICABILITY**

ALL TACOMA MODELS

**SERVICE PARTS**

ITEM	PART#	DESCRIPTION
1	250-2735	CRUISE ECM HARNESSES FOR NON-PREWired
2	250-4206	CLUTCH SWITCH
3	250-4380	CLUTCH SWITCH AND CLUTCH ECM HARNESS

**LEGEND**

-  **STOP:** DAMAGE TO VEHICLE MAY OCCUR. DO NOT PROCEED UNTIL PROCESS COMPLIANCE HAS BEEN MET.
-  **OPERATOR SAFETY:** USE CAUTION TO AVOID RISK OF INJURY.
-  **CRITICAL PROCESS:** PROCEED WITH CAUTION TO ENSURE A QUALITY INSTALLATION. THESE POINTS WILL BE AUDITED ON A COMPLETED VEHICLE INSTALLATION.
-  **GENERAL PROCESS:** THIS HIGHLIGHTS SPECIFIC PROCESSES TO ENSURE A QUALITY INSTALLATION. THESE POINTS WILL BE AUDITED DURING THE ACCESSORY INSTALLATION.
-  **TOOLS & EQUIPMENT:** THIS CALLS OUT THE SPECIFIC TOOLS AND EQUIPMENT REQUIRED FOR THE PROCESS.
-  **REVISION MARK:** THIS MARK HIGHLIGHTS A CHANGE IN INSTALLATION WITH RESPECT TO PREVIOUS ISSUE.
-  **VEHICLE PROTECTION:** THIS CALLS OUT FOR PROTECTION OF VEHICLE REQUIRED FOR THIS PROCESS.

**SPECIAL NOTE: INSTALLATION SEQUENCES**  
 AFTER SAFETY MANDATED PREPARATORY STEPS HAVE BEEN TAKEN, THE INSTALLATION SEQUENCE IS THE SUGGESTED METHOD FOR COMPLETING THE ACCESSORY INSTALLATION. IN SOME INSTANCES THE SUGGESTED SEQUENCE IS WRITTEN FOR ONE ASSOCIATE TO INSTALL AND IN OTHERS THE SEQUENCE IS GIVEN AS PART OF A TEAM ACCESSORY INSTALLATION. UNLESS OTHERWISE STATED IN THE DOCUMENT, THE ASSOCIATES MAY PERFORM THE INSTALLATION STEPS IN ANY ORDER TO MAKE THE INSTALLATION AS EFFICIENT AS POSSIBLE WHILE MAINTAINING CONSISTENT QUALITY.

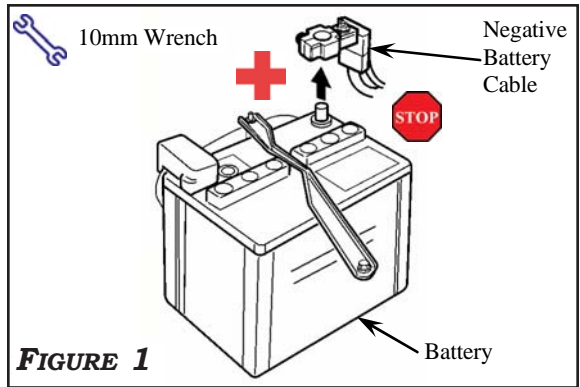
# INSTALLATION

## VEHICLE PREPARATION:

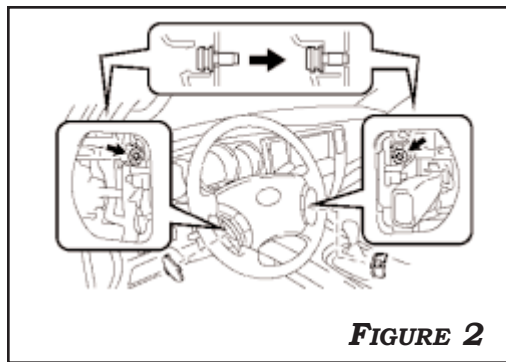
1. DISCONNECT THE CABLE FROM THE NEGATIVE TERMINAL OF THE BATTERY. **FIGURE 1**



**CAUTION:** ENSURE THAT BATTERY HAS BEEN DISCONNECTED FOR MORE THAN 90 SECONDS PRIOR TO REMOVAL OF AIRBAG; FAILURE TO HEED THIS WARNING MAY RESULT IN AIRBAG DISCHARGE AND MAY CAUSE SERIOUS INJURY OR DEATH.



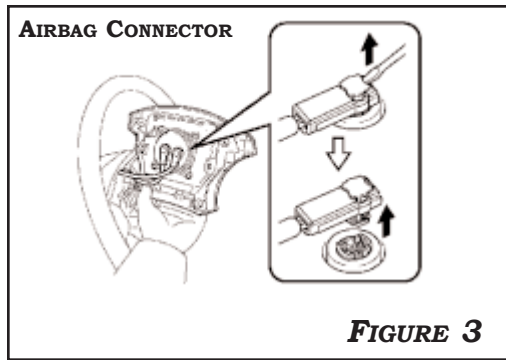
**FIGURE 1**



**FIGURE 2**

2. REMOVE AIRBAG BY RELEASING SIDE PANELS FROM STEERING WHEEL AND EXTRACTING THE TWO 30 TORX SCREWS AS ILLUSTRATED IN **FIGURE 2**.

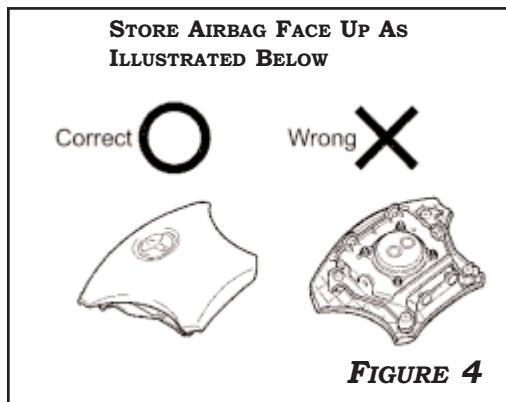
3. REMOVE GROUND TERMINAL AND DUMMY HORN/CRUISE CONNECTOR FROM STEERING WHEEL AND DISCARD. UTILIZE SMALL SCREWDRIVER TO REMOVE AIRBAG CONNECTORS AS ILLUSTRATED IN **FIGURE 3**.



**FIGURE 3**



**CAUTION:** BE SURE TO STORE AIRBAG FACE UP AS ILLUSTRATED IN **FIGURE 4** TO REDUCE INJURY IN EVENT OF ACCIDENTAL DISCHARGE OF AIRBAG.



**FIGURE 4**

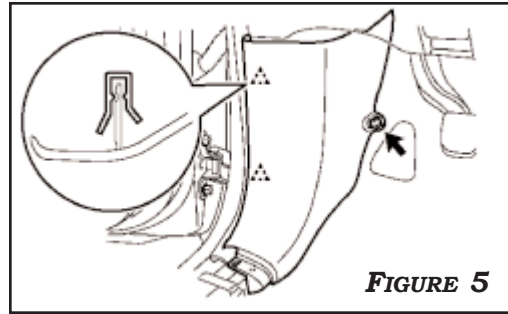
# INSTALLATION

## VEHICLE PREPARATION CONTINUED...

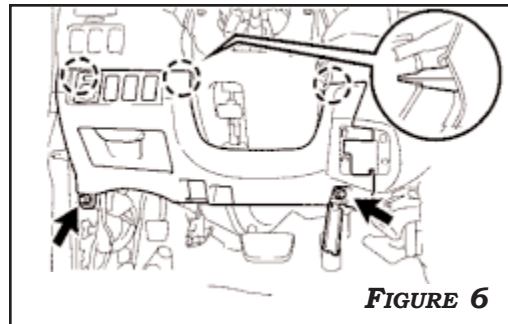


**NOTE: 2012 TO CURRENT MODELS WILL NOT REQUIRE WIRING FOR CRUISE LIGHT FROM COMBINATION METER TO ECM (ONLY USE STEP 7 & 9)**

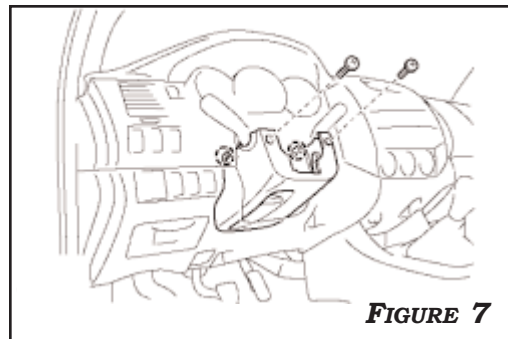
4. RELEASE THE 2 CLIPS AND REMOVE THE DRIVER SIDE KICK PANEL. **FIGURE 5**



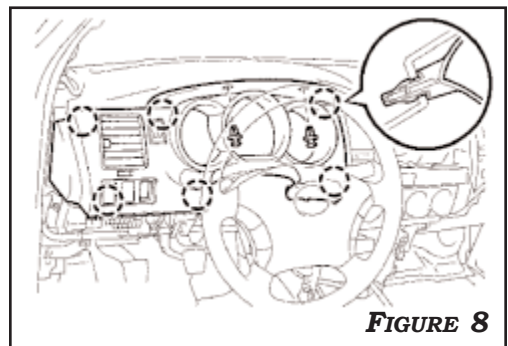
5. RELEASE THE 3 CLIPS AND REMOVE THE LOWER INSTRUMENT PANEL FINISH PANEL. **FIGURE 6**



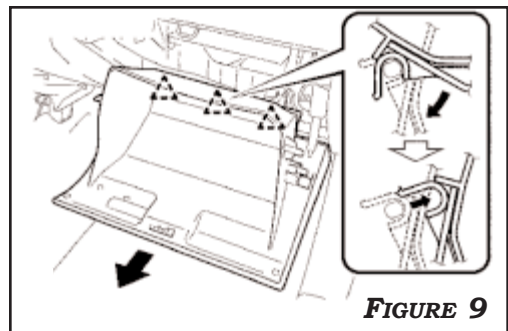
6. REMOVE 2 PHILLIPS SCREWS TO RELEASE THE STEERING COLUMN SHROUD. **FIGURE 7**



7. REMOVE THE 2 CLIPS. RELEASE THE 6 CLIPS AND REMOVE THE INSTRUMENT CLUSTER FINISH PANEL SUBASSEMBLY. **FIGURE 8**



8. RELEASE THE CLAW AND SEPARATE THE GLOVE COMPARTMENT DOOR STOPPER FROM THE GLOVE COMPARTMENT DOOR ASSEMBLY. PULL THE GLOVE COMPARTMENT DOOR ASSEMBLY TOWARD THE REAR OF THE VEHICLE TO RELEASE THE 3 HINGES AND REMOVE THE GLOVE COMPARTMENT DOOR ASSEMBLY. **FIGURE 9**

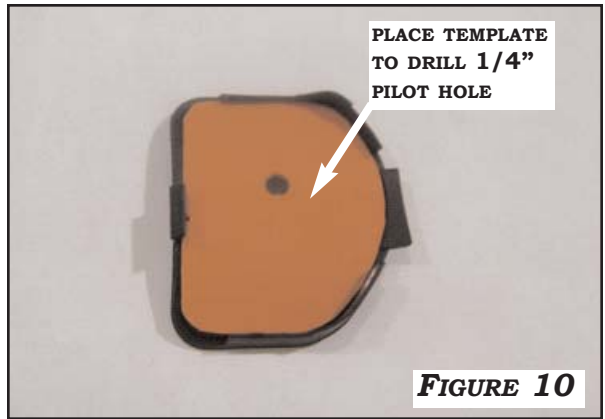


# INSTALLATION

## CONTROL SWITCH



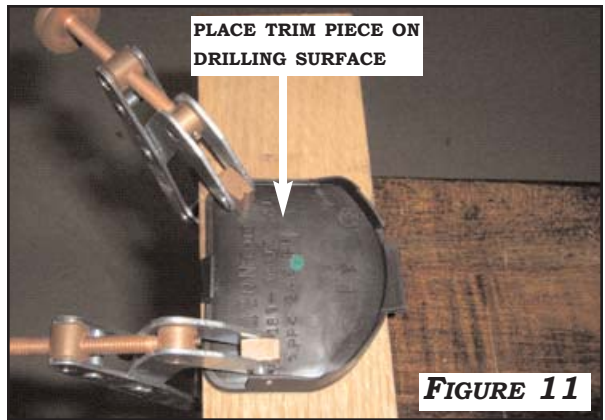
1. USE THE **SWITCH HOLE CUTTING TEMPLATE** ON PAGE 10 TO PLACE THE TEMPLATE ON THE INSIDE OF THE RIGHT SIDE TRIM PANEL. CUT OUT A **1/4"** PILOT HOLE AS SHOWN IN **FIGURE 10**. USE A **1 1/2"** HOLE SAW TO DRILL THE HOLE LOCATION ON THE TRIM PANEL. **FIGURE 12**. **FOR 2012 TO CURRENT TACOMA VEHICLES, IT IS ADVISED TO ORDER PART NUMBER 45186-04030-BO CRUISE SWITCH SHROUD FROM TOYOTA DEALERSHIP TO REPLACE EXISTING SHROUD.**



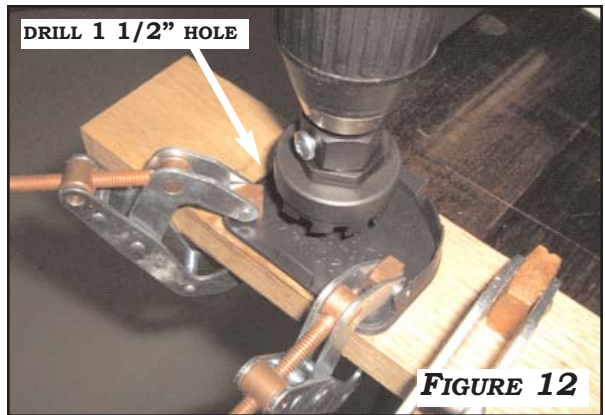
**FIGURE 10**



2. PLACE THE TRIM PANEL ON A DRILLING SURFACE AS SHOWN IN **FIGURE 11**. INSTALL THE TOP PLATE ONTO THE FIXTURE. USE A **1 1/2"** HOLE SAW TO CUT OUT THE HOLE LOCATION ON THE TRIM PANEL. **FIGURES 12 & 13**



**FIGURE 11**



**FIGURE 12**



**FIGURE 13**

# INSTALLATION

## CONTROL SWITCH CONTINUED

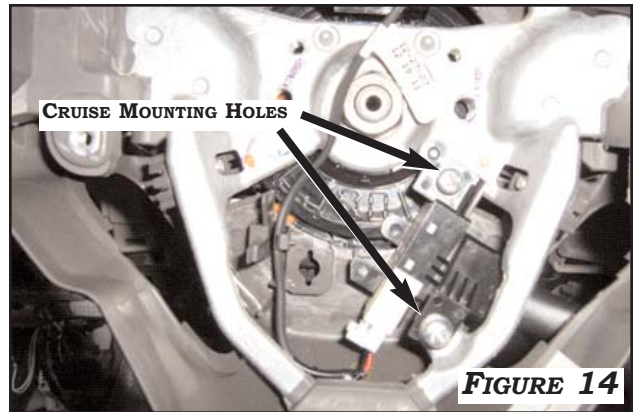


3. MOUNT CRUISE CONTROL SWITCH WITH TWO (2) PHILLIPS SCREWS PROVIDED. REMOVE GROUND TERMINAL AND DUMMY HORN/CRUISE CONNECTOR FROM STEERING WHEEL AND DISCARD. PLUG IN CRUISE SWITCH CONNECTOR ENSURING TO RE-CONNECT GROUND TERMINAL. **FIGURES 14-15**

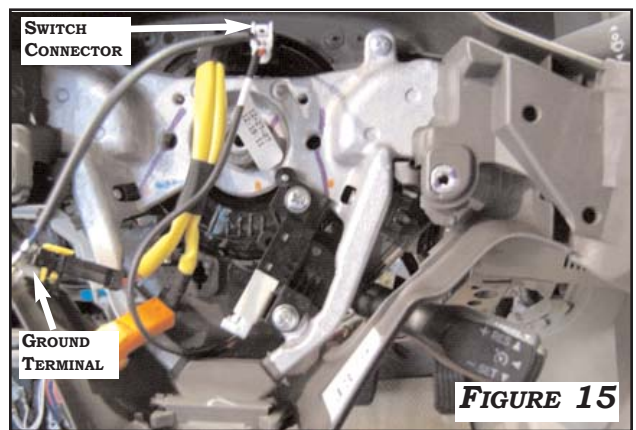
## CRUISE ECM AND GROUND HARNESS



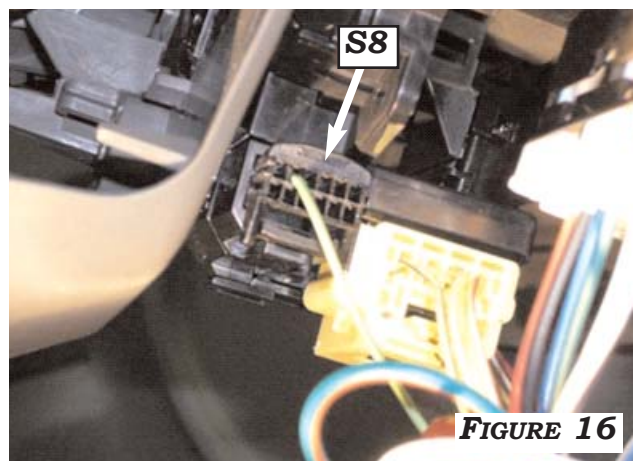
1. LOCATE BLACK CONNECTOR **S8** BEHIND STEERING WHEEL AT RIGHT SIDE OF SUB ASSEMBLY. **FIGURE 16**. REMOVE CONNECTOR. **BE SURE TO PUSH OUT TERMINAL RETAINER AT THE CENTER OF CONNECTOR. FIGURE 17**. INSERT THE **CLOCK-SPRING** TERMINAL FROM THE **BROWN** CRUISE ECM HARNESS TO **PIN 1** (CRUISE CIRCUIT) OF CONNECTOR **S8** CAREFULLY LOCKING TERMINAL INTO PLACE. **FIGURE 18**. PULL THE TERMINAL BACK GENTLY TO CHECK WHETHER IT IS LOCKED CORRECTLY.
2. INSERT THE **CLOCKSPRING** TERMINAL FROM THE **BLACK** CRUISE GROUND HARNESS INTO **PIN 2** OF CONNECTOR **S8** CAREFULLY LOCKING TERMINAL INTO PLACE. PULL THE TERMINAL BACK GENTLY TO CHECK WHETHER IT IS LOCKED CORRECTLY. **FIGURES 18**. REASSEMBLE CONNECTOR AND PLACE BACK ONTO SUB ASSEMBLY. **BE SURE RETAINER IS PRESSED IN BEFORE REINSTALLING.**
3. ROUTE THE GROUND HARNESS ALONG THE FACTORY HARNESS TO A 10MM BOLT ON THE VEHICLE FRAME. REMOVE THE 10MM BOLT AND INSTALL THE RING TERMINAL FROM THE **BLACK** CRUISE GROUND HARNESS. **SECURE THE HARNESS WITH WIRE TIES.**
4. ROUTE THE BROWN CRUISE ECM HARNESS TO THE ECM BEHIND GLOVE BOX AREA WITH THE EXISTING VEHICLE WIRING HARNESS.



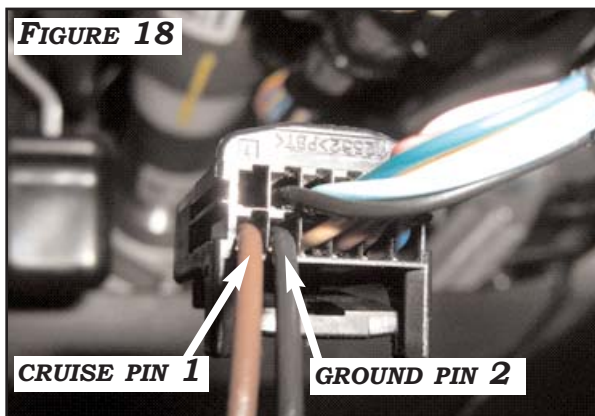
**FIGURE 14**



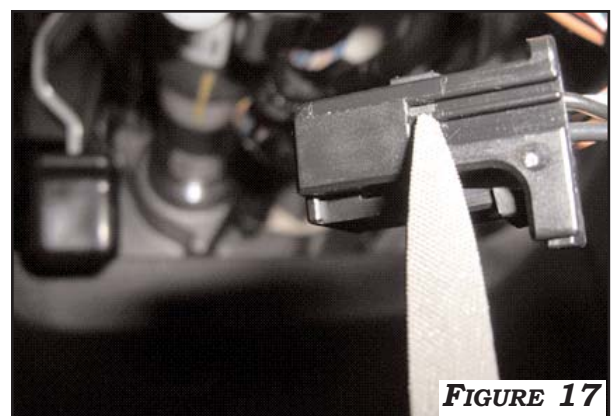
**FIGURE 15**



**FIGURE 16**



**FIGURE 18**



**FIGURE 17**

# INSTALLATION

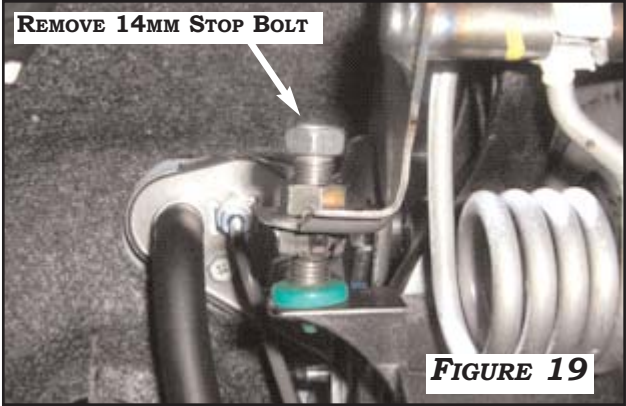
**NOTE**

**FOR MANUAL TRANSMISSION TACOMA, USE ROSTRA CLUTCH DISENGAGEMENT SWITCH AND CLUTCH HARNESS KIT 250-4206 IS REQUIRED.**

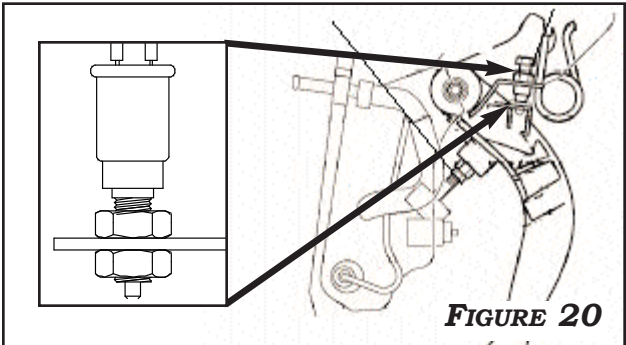
**REMOVE (3) 10MM SCREWS TO RELEASE JUNCTION BOX TO EASE INSTALLATION OF THE CLUTCH SWITCH.**

**1. FOR MANUAL TRANSMISSION:** RECORD THE STOP BOLT POSITION ON THE CLUTCH PEDAL. USE A **14MM** WRENCH TO REMOVE. REPLACE CLUTCH PEDAL STOP BOLT WITH ROSTRA CLUTCH DISENGAGEMENT SWITCH. ATTACH CLUTCH HARNESS TO CLUTCH DISENGAGEMENT SWITCH. **FIGURES 19-21**

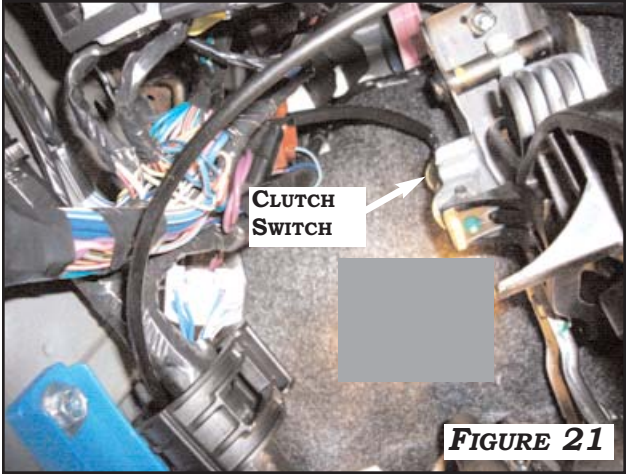
**2. FOR MANUAL TRANSMISSION:** LOCATE CONNECTOR **1C** AT THE JUNCTION BOX. **FIGURE 22.** ATTACH **RED** T-TAP TO THE **LT. GREEN** WIRE IN **PIN 14** OF CONNECTOR **1C**. **FIGURE 23.** CONNECT MALE TERMINALS TO **VIOLET WIRES** OF CLUTCH HARNESS AND MAKE ONE CONNECTION WITH THE T-TAP PREVIOUSLY INSTALLED. CONNECT THE OTHER VIOLET WIRE TO THE **BLUE** CRUISE ECM HARNESS. ROUTE THE CRUISE ECM HARNESS TO THE ECM BEHIND THE GLOVE BOX AREA.



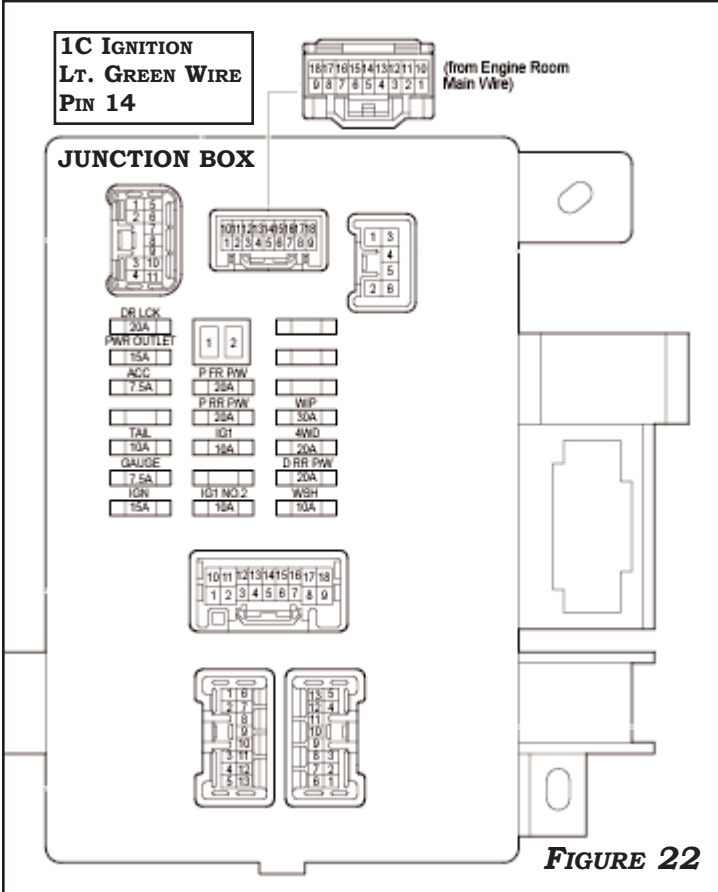
**FIGURE 19**



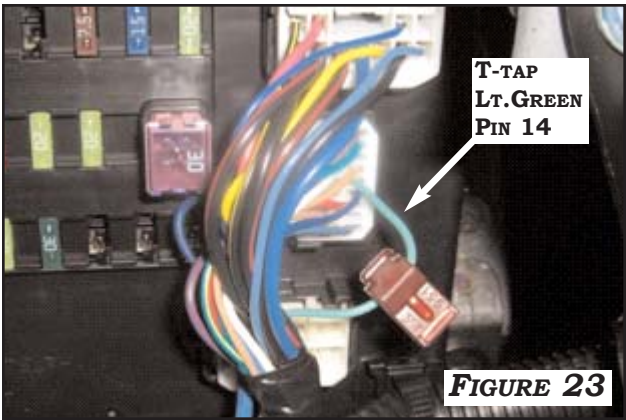
**FIGURE 20**



**FIGURE 21**



**FIGURE 22**



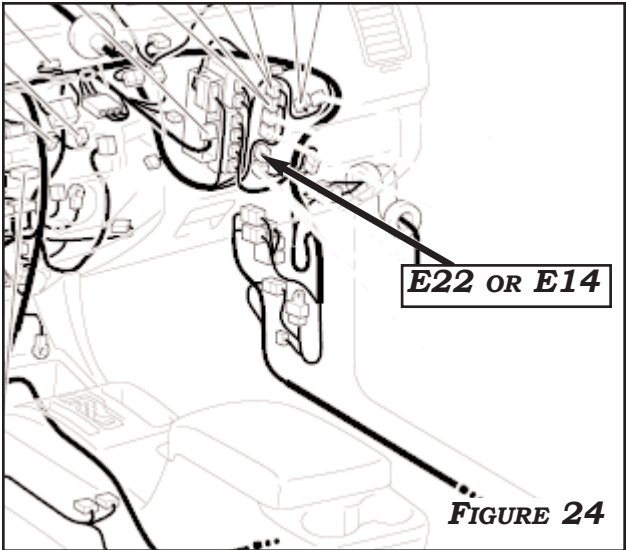
**FIGURE 23**

# INSTALLATION

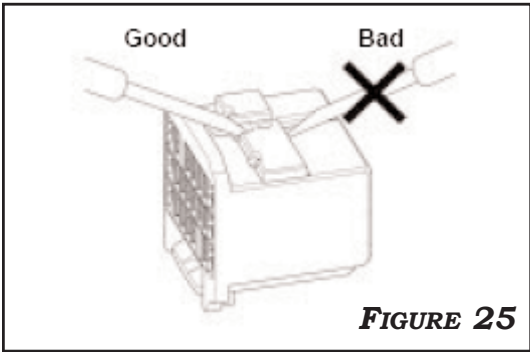
## 2013 CRUISE ECM HARNESSSES



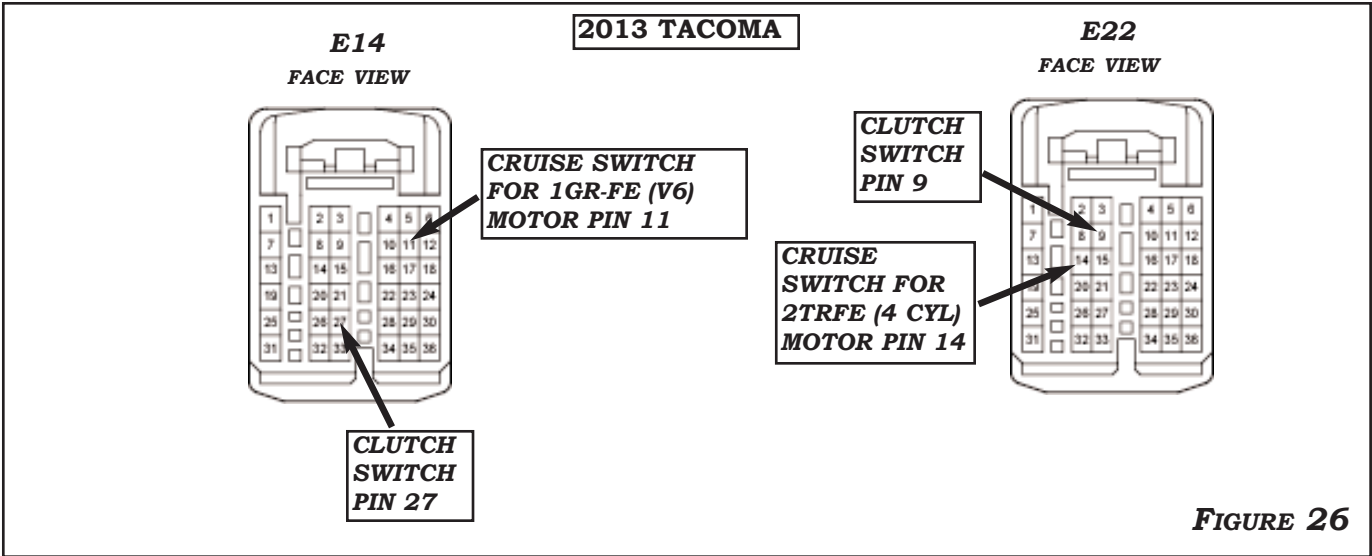
1. LOCATE BLACK CONNECTOR **E22 (2TR-FE 4 CYL ENGINE)** OR BLACK CONNECTOR **E14 (1GR-FE V6 ENGINE)** AT SECOND FROM BOTTOM OF THE ECM. **FIGURE 24**. **BE SURE TO PULL OUT TERMINAL RETAINER AT THE CENTER OF CONNECTOR. FIGURE 25**. INSERT ECM TERMINAL FROM **BROWN WIRE (59B-05877)** OF THE CRUISE ECM HARNESS INTO PIN **14**(CRUISE CIRCUIT) OF CONNECTOR **E22** OR INTO PIN **11** OF CONNECTOR **E14**. INSERT THE ECM TERMINAL FROM THE **BLUE WIRE** OF THE CRUISE ECM HARNESS INTO PIN **9**(CLUTCH SWITCH CIRCUIT) OF CONNECTOR **E22** OR INTO PIN **27** OF CONNECTOR **E14**. **FIGURES 26-27**
2. CAREFULLY LOCK THE TERMINALS INTO PLACE. PULL THE TERMINALS BACK GENTLY TO CHECK WHETHER IT IS LOCKED CORRECTLY. REASSEMBLE CONNECTOR AND PLACE BACK ONTO ECM. **BE SURE RETAINER IS PRESSED IN BEFORE REINSTALLING**. SECURE HARNESS WITH WIRE TIES.
3. CONTINUE TO TESTING SECTION.



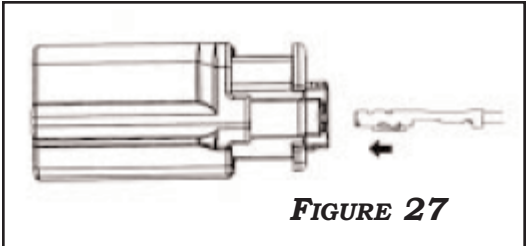
**FIGURE 24**



**FIGURE 25**



**FIGURE 26**



**FIGURE 27**

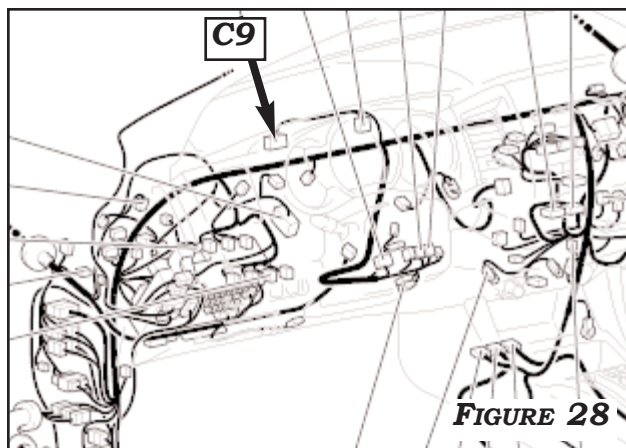
# INSTALLATION

## 09-11 CRUISE ECM HARNESS

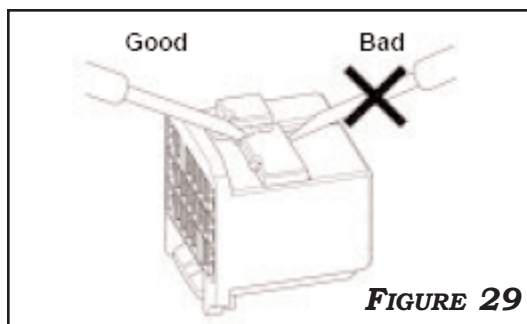


**NOTE: 2012 TO CURRENT MODELS WILL NOT REQUIRE WIRING FOR CRUISE LIGHT FROM COMBINATION METER TO ECM (CONTINUE TO NEXT PAGES)**

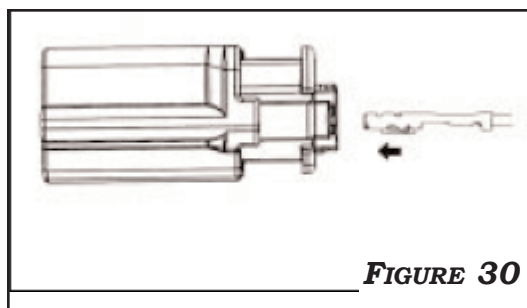
1. LOCATE WHITE CONNECTOR **C9** AT THE COMBINATION METER. **FIGURE 28**. REMOVE CONNECTOR. **BE SURE TO PULL OUT TERMINAL RETAINER AT THE CENTER OF CONNECTOR. FIGURE 29.**
  
2. INSERT THE **COMBINATION METER** TERMINAL FROM THE **GREEN** CRUISE ECM HARNESS INTO PIN **24** (CRUISE INDICATOR LIGHT CIRCUIT) OF CONNECTOR **C9** CAREFULLY LOCKING TERMINAL INTO PLACE. PULL THE TERMINAL BACK GENTLY TO CHECK WHETHER IT IS LOCKED CORRECTLY. **FIGURE 30-31**. REASSEMBLE CONNECTOR AND PLACE BACK ONTO COMBINATION METER. **BE SURE RETAINER IS PRESSED IN BEFORE REINSTALLING.**
  
3. ROUTE THE GREEN CRUISE ECM HARNESS TO THE ECM BEHIND GLOVE BOX AREA WITH THE EXISTING VEHICLE WIRING HARNESS AS SHOWN IN **FIGURE 32**. SECURE THE HARNESSES WITH WIRE TIES.



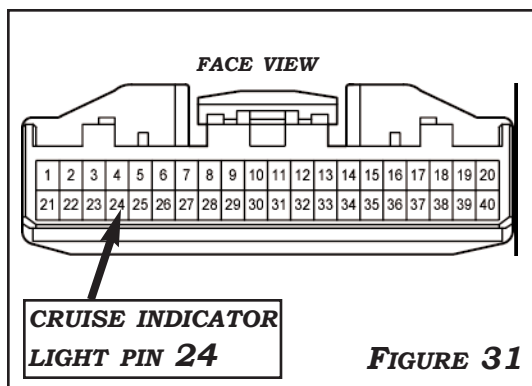
**FIGURE 28**



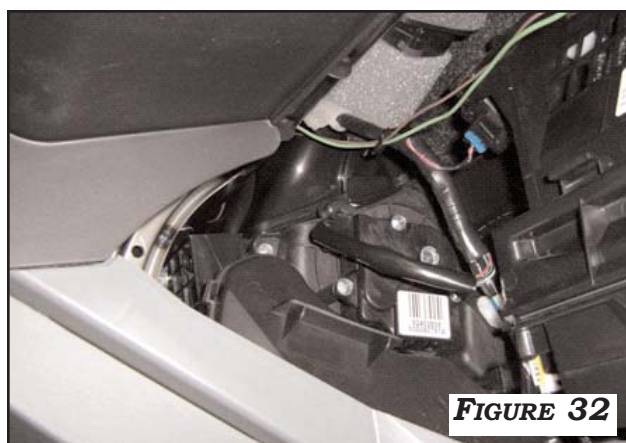
**FIGURE 29**



**FIGURE 30**



**FIGURE 31**



**FIGURE 32**



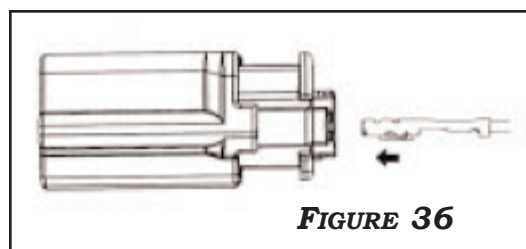
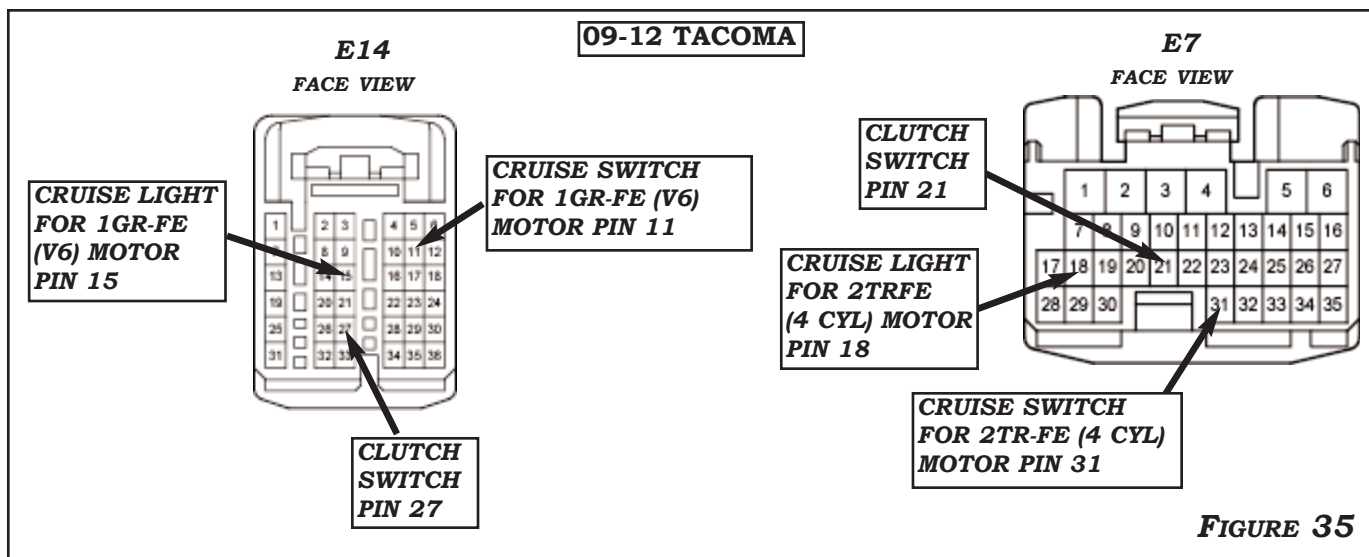
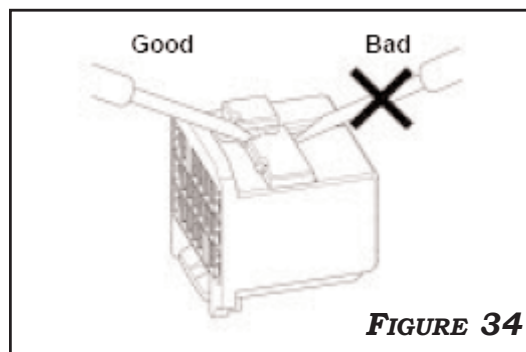
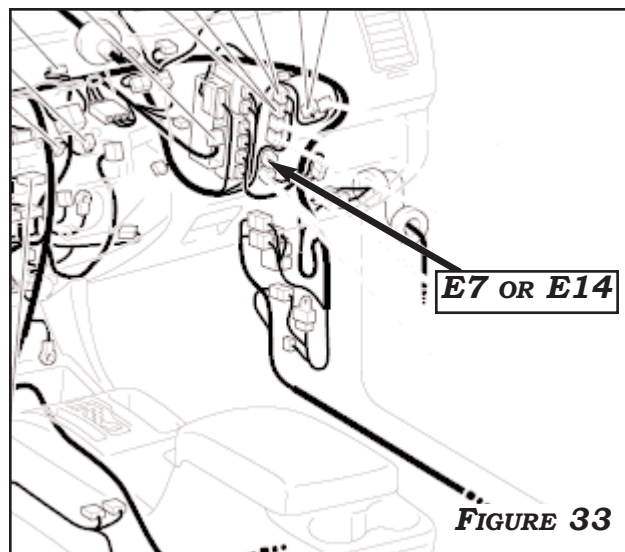
# INSTALLATION

## 09-12 CRUISE ECM HARNESSES



**NOTE: 2012 MODELS WILL NOT REQUIRE WIRING FOR CRUISE LIGHT FROM COMBINATION METER TO ECM**

1. LOCATE WHITE CONNECTOR **E7** (2TR-FE 4 CYL ENGINE) OR BLACK CONNECTOR **E14** (1GR-FE V6 ENGINE) AT SECOND FROM BOTTOM OF THE ECM. **FIGURE 33**. **BE SURE TO PULL OUT TERMINAL RETAINER AT THE CENTER OF CONNECTOR. FIGURE 34**. INSERT **ECM** TERMINAL FROM **BROWN WIRE (59B-05877)** OF THE CRUISE ECM HARNESS INTO PIN **31**(CRUISE CIRCUIT) OF CONNECTOR **E7** OR INTO PIN **11**OF CONNECTOR **E14**. INSERT THE ECM TERMINAL FROM THE **GREEN WIRE** OF THE CRUISE ECM HARNESS INTO PIN **18** (CRUISE INDICATOR LIGHT CIRCUIT) OF CONNECTOR **E7** OR INTO PIN **15** OF CONNECTOR **E14**. INSERT THE ECM TERMINAL FROM THE **BLUE WIRE** OF THE CRUISE ECM HARNESS INTO PIN **21**(CLUTCH SWITCH CIRCUIT) OF CONNECTOR **E7** OR INTO PIN **27** OF CONNECTOR **E14**. **FIGURES 35-36**
2. CAREFULLY LOCK THE TERMINALS INTO PLACE. PULL THE TERMINALS BACK GENTLY TO CHECK WHETHER IT IS LOCKED CORRECTLY. REASSEMBLE CONNECTOR AND PLACE BACK ONTO ECM. **BE SURE RETAINER IS PRESSED IN BEFORE REINSTALLING**. SECURE HARNESS WITH WIRE TIES.



# INSTALLATION

## TESTING



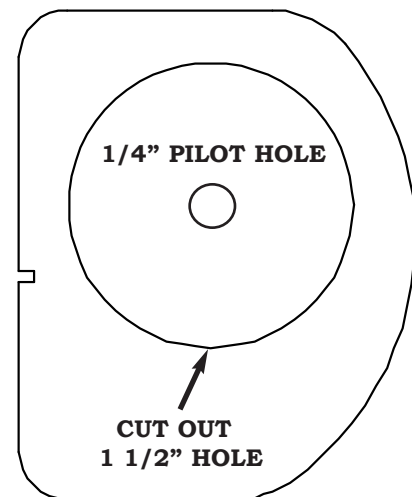
1. REINSTALL AIRBAG. TORQUE SCREWS TO **78IN\*LBS.**
2. RECONNECT NEGATIVE BATTERY CABLE AND TORQUE TO **3FT\*LBS.**



3. TURN THE IGNITION TO THE "ON" POSITION. PRESS THE "CRUISE ON-OFF" BUTTON. THIS TURNS THE SYSTEM ON. THE INDICATOR LIGHT IN THE INSTRUMENT PANEL WILL COME ON.



## TACOMA SHROUD TEMPLATE



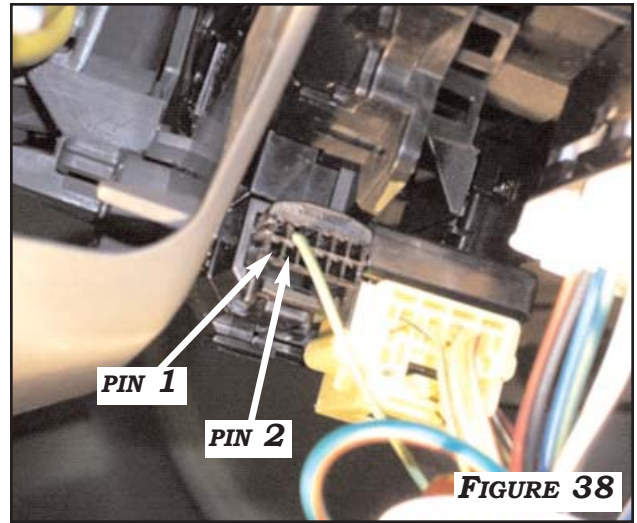
## REASSEMBLY



1. REINSTALL ALL TRIM PIECES TAKING SPECIAL CARE TO ENSURE HARNESSES AND WIRE CONNECTIONS ARE PROPERLY SECURED.
2. BE SURE HARNESSES ARE NOT PINCHED OR BOUND BY TRIM PIECES.

# TROUBLESHOOTING

1. LOCATE CONNECTOR S8 OF CLOCKSPRING BELOW RIGHT HAND SIDE STEERING COLUMN. REFER TO **FIGURE 38**
2. WITH IGNITION SWITCH ON, PLACE POSITIVE LEAD OF METER ON **PIN 1** (DC).
3. PLACE COMMON LEAD ON **PIN 2** (GROUND). CONFIRM READINGS ARE AS FOLLOWS:
  - A. KEY ON: 12VOLTS.
  - B. KEY ON, PRESS CRUISE SWITCH 'ON' AND HOLD: 0 VOLTS.
  - C. KEY ON, PRESS CRUISE SWITCH 'SET' AND HOLD: 6 VOLTS.
  - D. KEY ON, PRESS CRUISE SWITCH 'RESUME' AND HOLD: 3 VOLTS.
4. IF THE VOLTAGES ARE DIFFERENT REPLACE CONTROL SWITCH.
5. IF THERE IS NOT 12VOLTS ON **PIN 1**, THEN DO A CONTINUITY TEST FROM THE CONTROL SWITCH (BEHIND AIR BAG) TO THE COMPUTER.
6. IF NO CONTINUITY, THEN CHECK PIN INSERTIONS AT CONTROL SWITCH, CLOCKSPRING AND COMPUTER.
7. IF CONTINUITY IS GOOD, THEN VERIFY PIN POSITIONS AT CLOCKSPRING AND COMPUTER.
8. IF ALL POSITIONS CHECK OK AND CONTINUITY IS GOOD, THEN THERE IS A COMPUTER PROBLEM. CONSULT A TOYOTA DEALER.





**ROSTRA.COM**